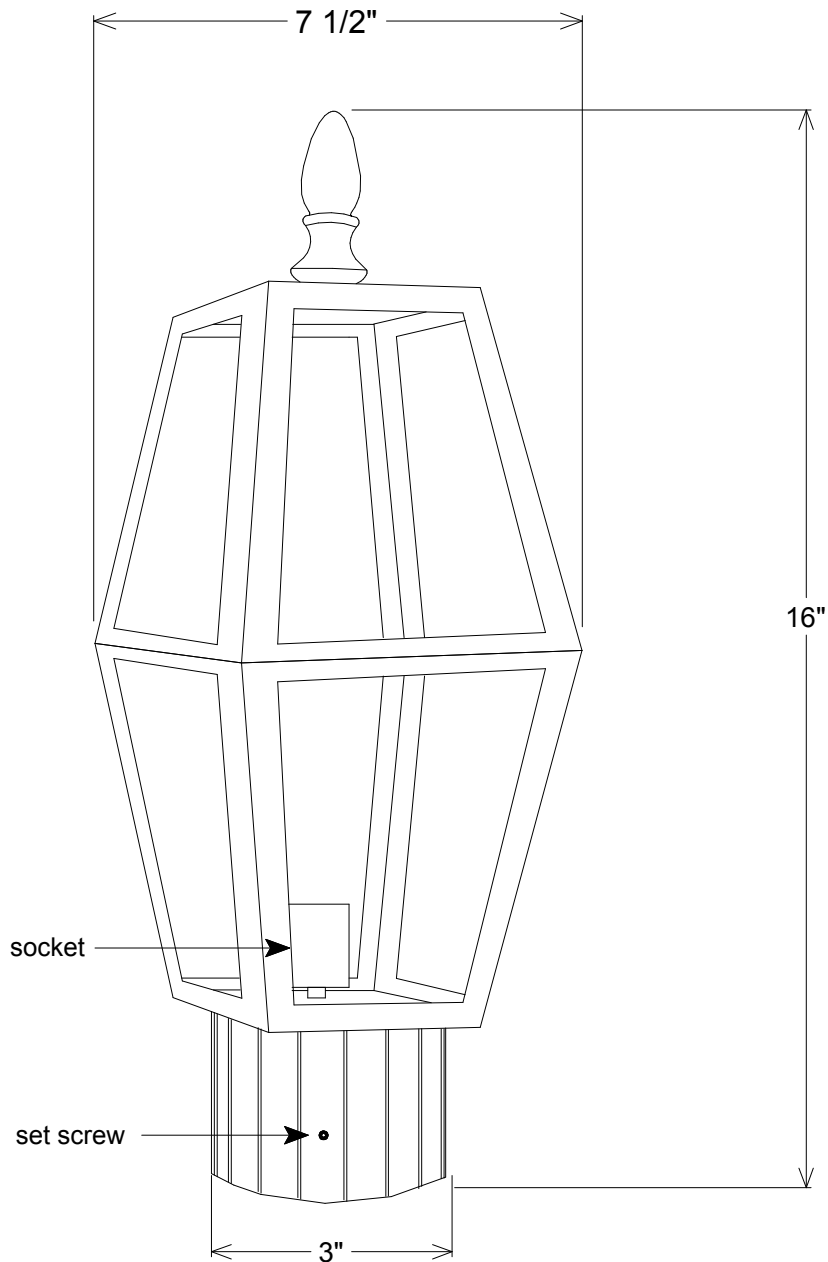


Revisions				
Zone	Rev	Description	Date	Approved



Unless Otherwise Specified:

Dimensions in Inches
Tolerances: Fractional ±
Angular: Mach ± Bend ±
Two Place Decimal ±
Three Place Decimal ±

Construction: All Aluminum

Lamp: 1-150A

Name	Date
Drawn	T.A.R. 05/26/10
Checked	
ENG Appr.	
MFR Appr.	
QA	

Comments
CAD Generated Drawing
Do Not Manually Update

Primelite Mfg. Corp.

1331
16"X7 1/2" Cast Aluminum
Lantern Post Light

Size A	Drawing No. 0001	Rev A
Scale 1:3	CAD File	Sheet 1 of 1