

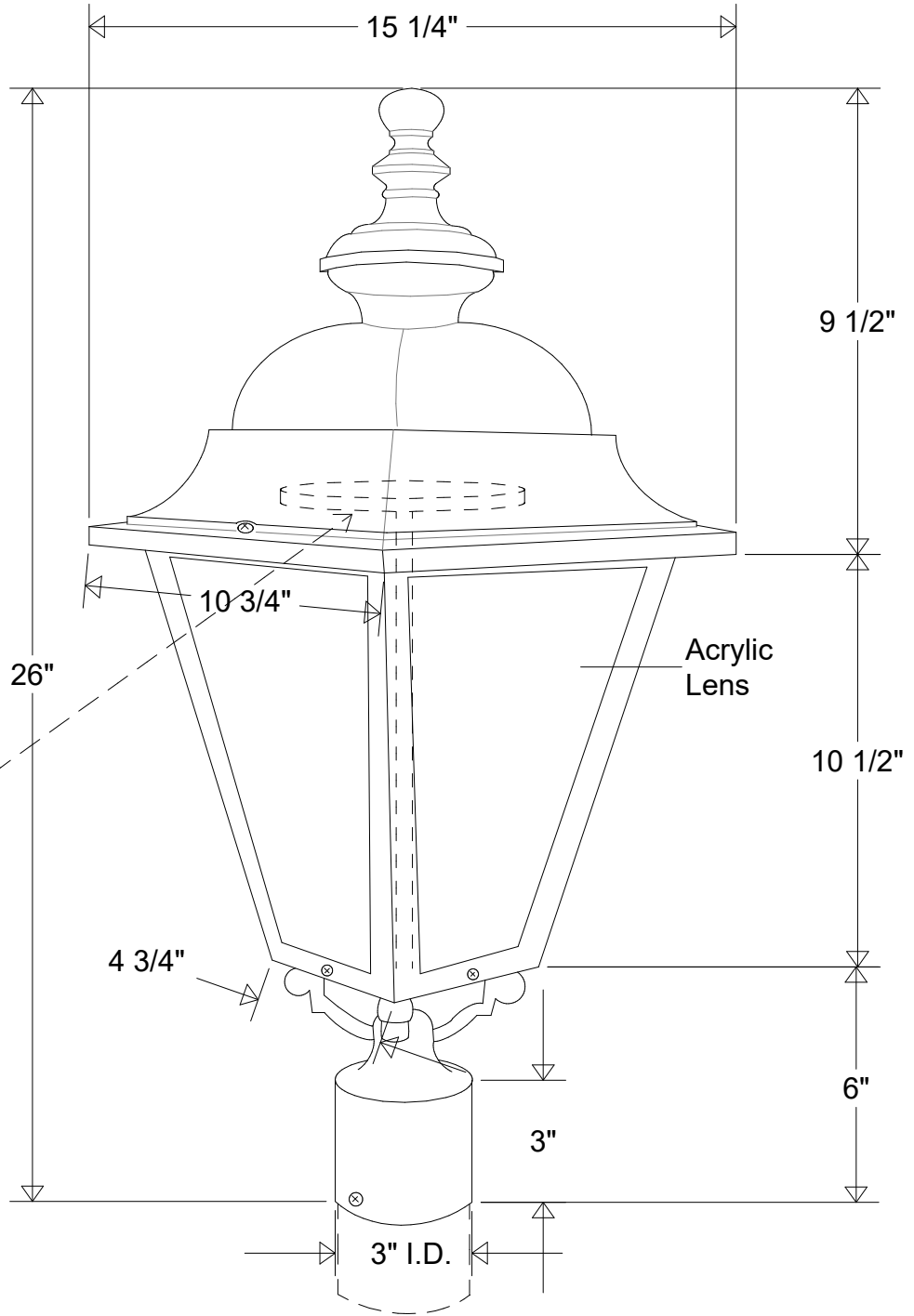


Primelite Manufacturing Corp

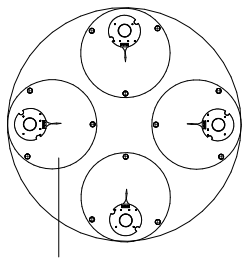
407 S Main St, Freeport, NY 11520

Phone: 516-868-4411 | Fax: 516-868-4609
 sales@primelite-mfg.com | www.primelite-mfg.com


PART # #1326	LAMP Incandescent LED	VOLTAGE 120 V	COLOR Powder Coated Paint
JOB NAME			TYPE Post Light



LED 72 (4 x LED 18)



Heat Sink

Lamp: Incandescent LED  LED 72 (4 X LED 18)	Name	Date	Post Light #1326 LED 72 10 3/4" W 26" H Acrylic Lens Smoke White Clear Frosted			
	Drawn	CB				11/19
	Checked			Size	Drawing No.	Rev
	ENG Appr.			A	0001	A
Construction: Aluminum Acrylic	MFR Appr.		Scale	CAD File	Sheet	
Unless Otherwise Specified: Dimensions in Inches	QA				1 of 1	
	Weight					

Revisions				
Zone	Rev	Description	Date	Approved