

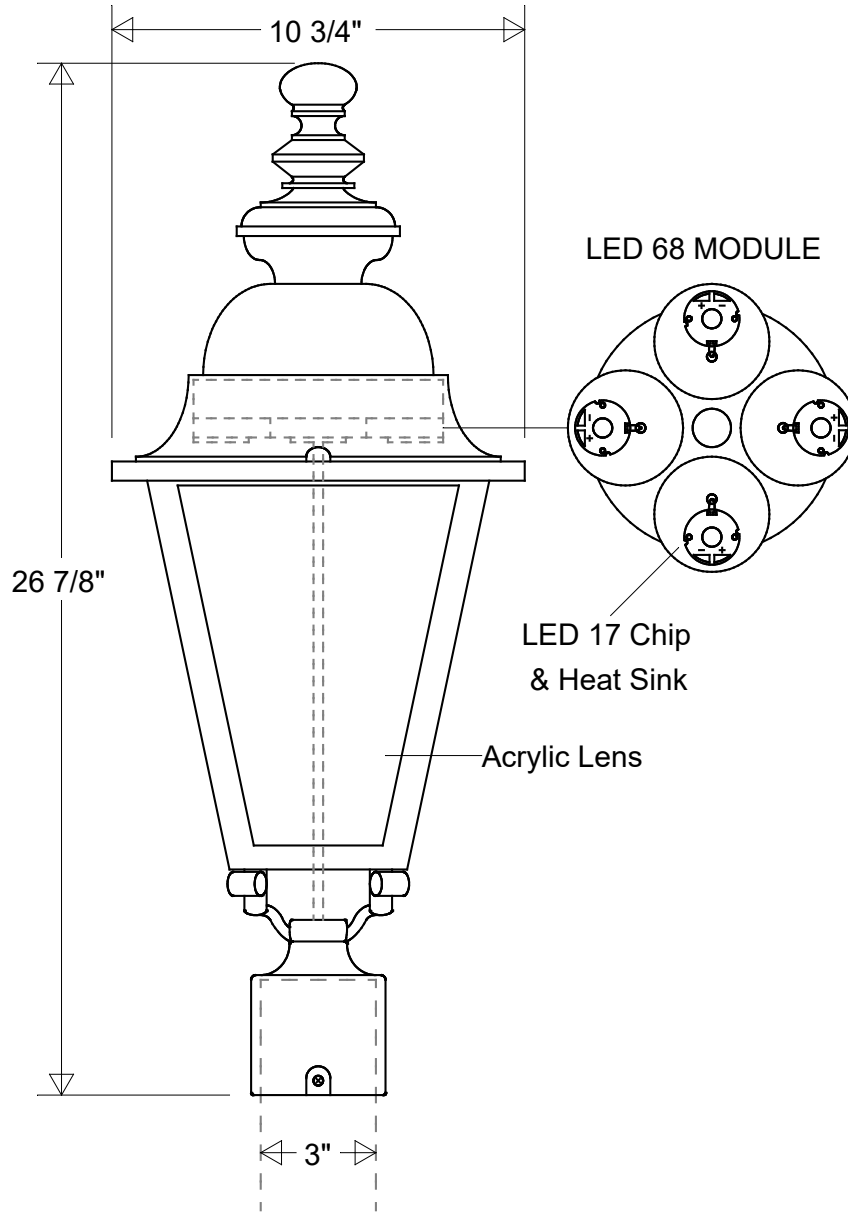



Primelite Manufacturing Corp

407 S Main St, Freeport, NY 11520

Phone: 516-868-4411 | Fax: 516-868-4609
 sales@primelite-mfg.com | www.primelite-mfg.com

PART # #1326 LED 68	LAMP Built-In LED	VOLTAGE 120 V	COLOR Powder Coated Paint
JOB NAME			TYPE Cast Lantern



Lamp: LED 68 (4X LED 17) 175 W MH Equivalent 3K = 7712 Lumens 4K = 8552 Lumens 	Initials	Date	<h2>Post Light #1326 LED 68</h2>								
	Drawn	CB						12/2022			
	Checked			10 3/4" W 26 7/8" H Fits 3" OD Round Posts & Piers		Revisions					
ENG Appr.			Acrylic: Smoke(/1) White(/3) Clear(/4) Frosted(/5)		Zone	Rev	Description	Date	Appr		
Construction: Aluminum Acrylic	MFR Appr.		Size	Drawing No.	Rev						
	QA		A	0001	A						
Unless Otherwise Specified: Dimensions in Inches	Weight:		Scale	CAD File	Sheet						
											1 of 1