

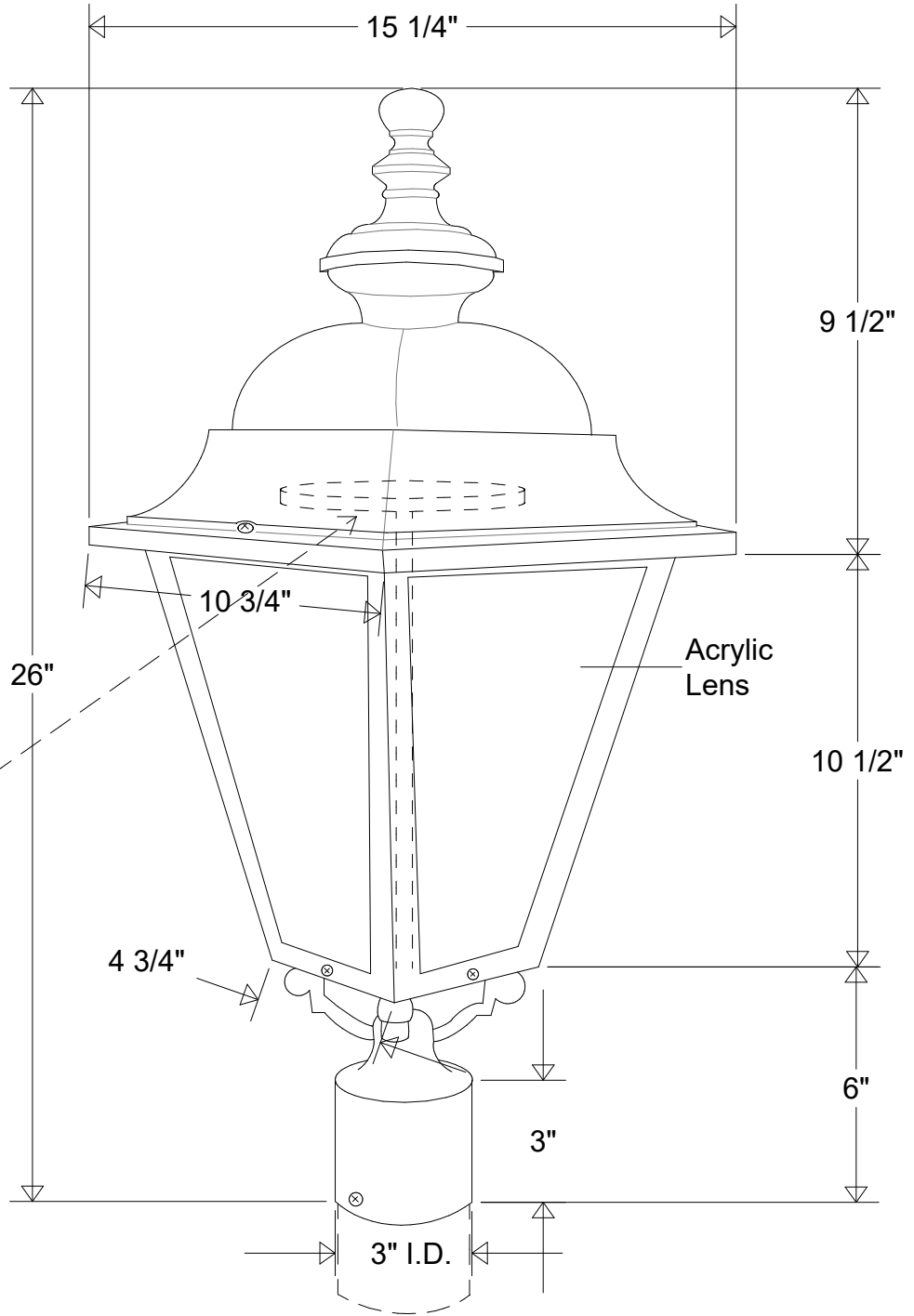


Primelite Manufacturing Corp

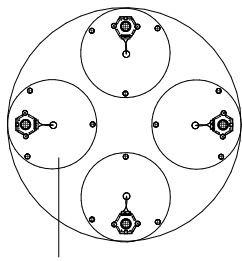
407 S Main St, Freeport, NY 11520

Phone: 516-868-4411 | Fax: 516-868-4609
 sales@primelite-mfg.com | www.primelite-mfg.com

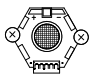
PART # #1326	LAMP Incandescent LED	VOLTAGE 120 V	COLOR Powder Coated Paint
JOB NAME			TYPE Post Light



LED 40 (4 x LED 10)



Heat Sink

Lamp: Incandescent LED  LED 40 (4 X LED 10)	<table border="1"> <tr> <th>Name</th> <th>Date</th> <th></th> </tr> <tr> <td>Drawn CB</td> <td>11/19</td> <td rowspan="4"> Post Light #1326 LED 40 10 3/4" W 26" H Acrylic Lens Smoke White Clear Frosted </td> </tr> <tr> <td>Checked</td> <td></td> </tr> <tr> <td>ENG Appr.</td> <td></td> </tr> <tr> <td>MFR Appr.</td> <td></td> </tr> </table>			Name	Date		Drawn CB	11/19	Post Light #1326 LED 40 10 3/4" W 26" H Acrylic Lens Smoke White Clear Frosted	Checked		ENG Appr.		MFR Appr.		<table border="1"> <tr> <th colspan="5">Revisions</th> </tr> <tr> <th>Zone</th> <th>Rev</th> <th>Description</th> <th>Date</th> <th>Approved</th> </tr> <tr> <td> </td> <td> </td> <td> </td> <td> </td> <td> </td> </tr> <tr> <td> </td> <td> </td> <td> </td> <td> </td> <td> </td> </tr> <tr> <td> </td> <td> </td> <td> </td> <td> </td> <td> </td> </tr> </table>					Revisions					Zone	Rev	Description	Date	Approved															
	Name	Date																																											
	Drawn CB	11/19	Post Light #1326 LED 40 10 3/4" W 26" H Acrylic Lens Smoke White Clear Frosted																																										
	Checked																																												
ENG Appr.																																													
MFR Appr.																																													
Revisions																																													
Zone	Rev	Description	Date	Approved																																									
Construction: Aluminum Acrylic	<table border="1"> <tr> <th>Size</th> <th>Drawing No.</th> <th>Rev</th> </tr> <tr> <td>A</td> <td>0001</td> <td>A</td> </tr> </table>	Size	Drawing No.	Rev	A	0001	A	<table border="1"> <tr> <th>Scale</th> <th>CAD File</th> <th>Sheet</th> </tr> <tr> <td> </td> <td> </td> <td>1 of 1</td> </tr> </table>			Scale	CAD File	Sheet			1 of 1																													
Size	Drawing No.	Rev																																											
A	0001	A																																											
Scale	CAD File	Sheet																																											
		1 of 1																																											
Unless Otherwise Specified: Dimensions in Inches	<table border="1"> <tr> <th>Weight</th> </tr> <tr> <td> </td> </tr> </table>	Weight		<table border="1"> <tr> <th>Zone</th> <th>Rev</th> <th>Description</th> <th>Date</th> <th>Approved</th> </tr> <tr> <td> </td> <td> </td> <td> </td> <td> </td> <td> </td> </tr> <tr> <td> </td> <td> </td> <td> </td> <td> </td> <td> </td> </tr> </table>					Zone	Rev	Description	Date	Approved																																
Weight																																													
Zone	Rev	Description	Date	Approved																																									