

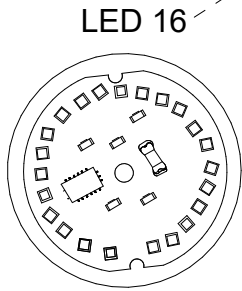
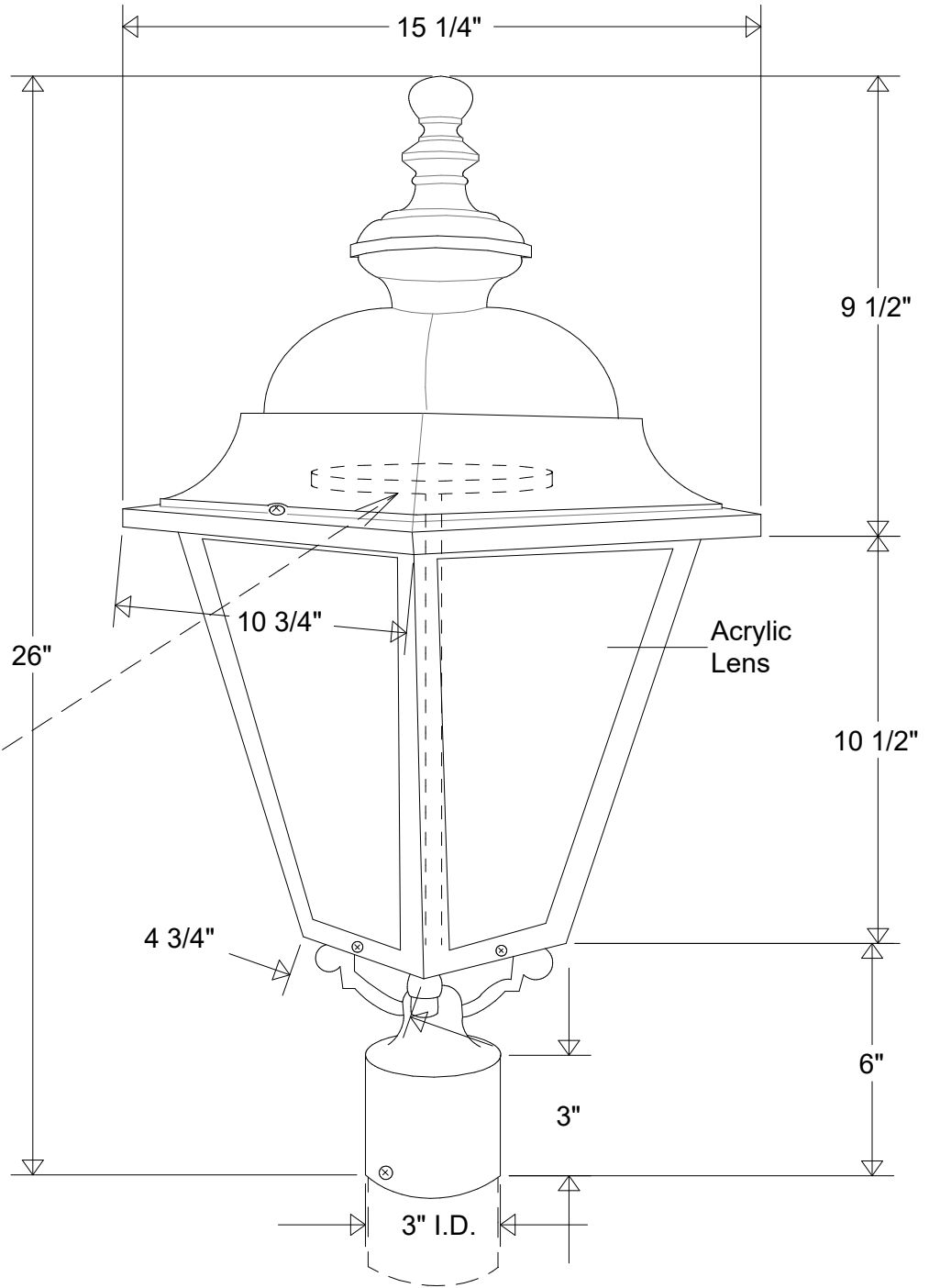



Primelite Manufacturing Corp

407 S Main St, Freeport, NY 11520

Phone: 516-868-4411 | Fax: 516-868-4609
 sales@primelite-mfg.com | www.primelite-mfg.com

PART # #1326	LAMP Incandescent LED	VOLTAGE 120 V	COLOR Powder Coated Paint
JOB NAME			TYPE Post Light



Lamp: Incandescent LED  LED 16	Name		Date		Post Light #1326 LED 16 10 3/4" W 26" H Acrylic Lens Smoke White Clear Frosted					
	Drawn	CB	11/19							
	Checked				Size A	Drawing No. 0001	Rev A	Revisions		
	ENG Appr.							Zone	Rev	Description
Construction: Aluminum Acrylic	MFR Appr.									
Unless Otherwise Specified: Dimensions in Inches	QA				Scale	CAD File	Sheet			
	Weight						1 of 1			