

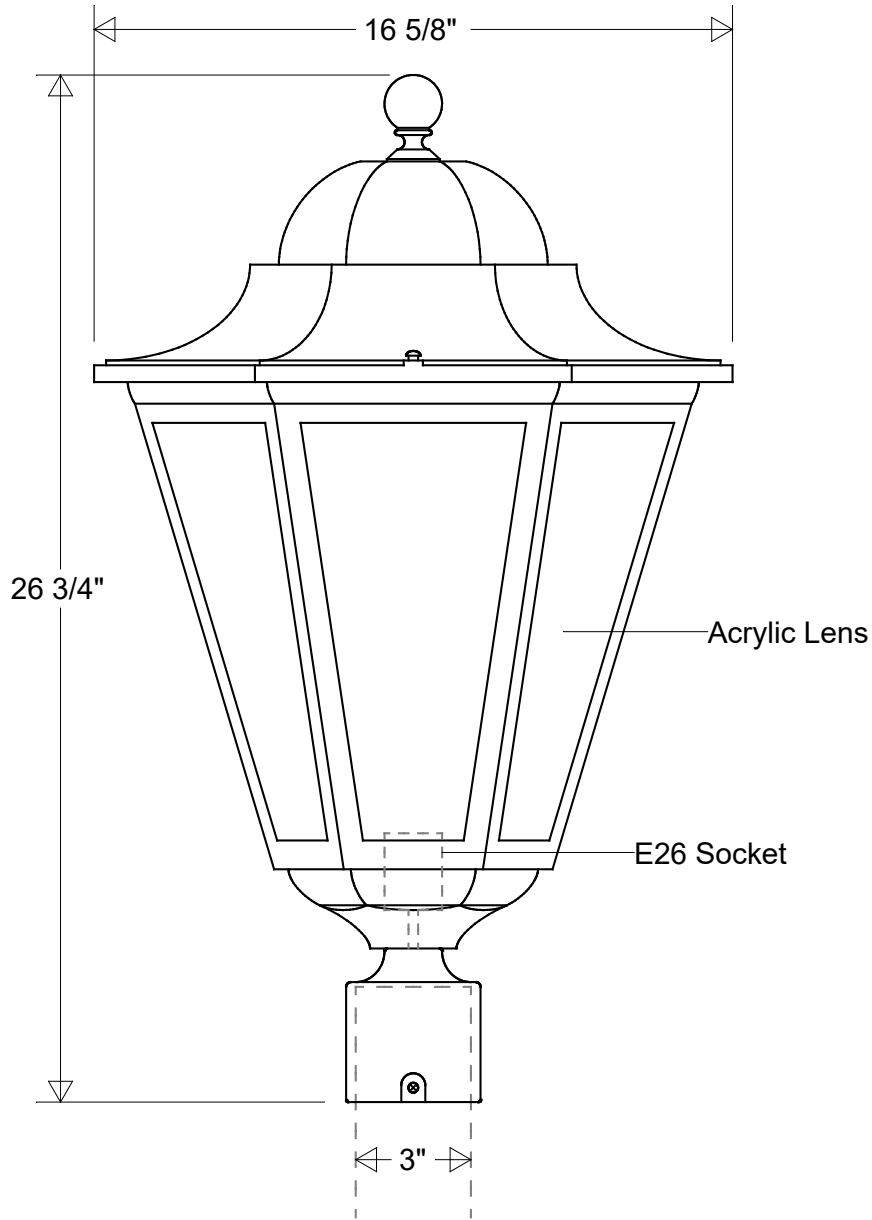



# Primelite Manufacturing Corp

407 S Main St, Freeport, NY 11520

Phone: 516-868-4411 | Fax: 516-868-4609  
 sales@primelite-mfg.com | www.primelite-mfg.com

<b>PART #</b> #1325	<b>LAMP</b> E26 Socket	<b>VOLTAGE</b> 120 V	<b>COLOR</b> Powder Coated Paint
<b>JOB NAME</b>			<b>TYPE</b> Cast Lantern



<b>Lamp: E26 Socket</b> Max Wattage: 300 W 	<b>Initials</b>	<b>Date</b>	<h2>Post Light #1325</h2>						
	Drawn	CB						12/2022	
	Checked			16 5/8" W   26 3/4" H   Fits 3" OD Round Posts & Piers		<b>Revisions</b>			
ENG Appr.			Acrylic: Smoke(/1)   White(/3)   Clear(/4)   Frosted(/5)		<b>Zone</b>	<b>Rev</b>	<b>Description</b>	<b>Date</b>	<b>Appr</b>
<b>Construction:</b> Aluminum   Acrylic	MFR Appr.			Size	Drawing No.	Rev			
	QA			<b>A</b>	<b>0001</b>	<b>A</b>			
<b>Unless Otherwise Specified:</b> Dimensions in Inches	<b>Weight:</b>			Scale	CAD File	Sheet			
						<b>1 of 1</b>			