

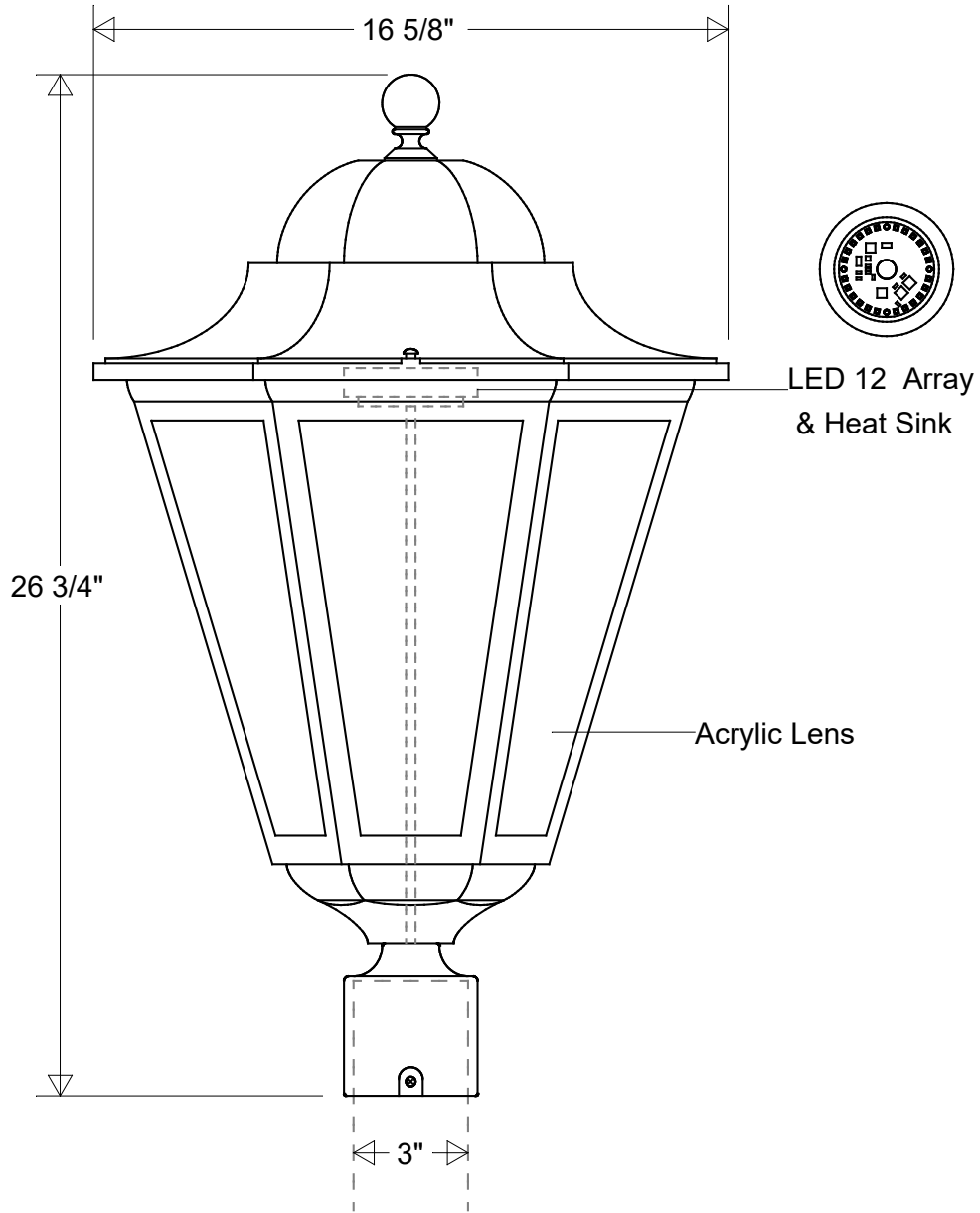


# Primelite Manufacturing Corp

407 S Main St, Freeport, NY 11520

Phone: 516-868-4411 | Fax: 516-868-4609  
 sales@primelite-mfg.com | www.primelite-mfg.com

<b>PART #</b> #1325 LED 12	<b>LAMP</b> Built-In LED	<b>VOLTAGE</b> 120 V	<b>COLOR</b> Powder Coated Paint
<b>JOB NAME</b>			<b>TYPE</b> Cast Lantern



**Lamp: LED 12 Array**  
 60 W Inc Equivalent  
 3K = 1140 Lumens  
 4K = 1280 Lumens



	<b>Initials</b>	<b>Date</b>
<b>Drawn</b>	CB	01/2023
<b>Checked</b>		
<b>ENG Appr.</b>		
<b>MFR Appr.</b>		
<b>QA</b>		

## Post Light #1325 LED 12

16 5/8" W | 26 3/4" H | Fits 3" OD Round Posts & Piers

Acrylic: Smoke(/1) | White(/3) | Clear(/4) | Frosted(/5)

<b>Size</b>	<b>Drawing No.</b>	<b>Rev</b>
<b>A</b>	<b>0001</b>	<b>A</b>

### Revisions

Zone	Rev	Description	Date	Appr

**Construction:**  
Aluminum | Acrylic

**Unless Otherwise Specified:**  
Dimensions in Inches

<b>Weight:</b>	<b>Scale</b>	<b>CAD File</b>	<b>Sheet</b>
			<b>1 of 1</b>