

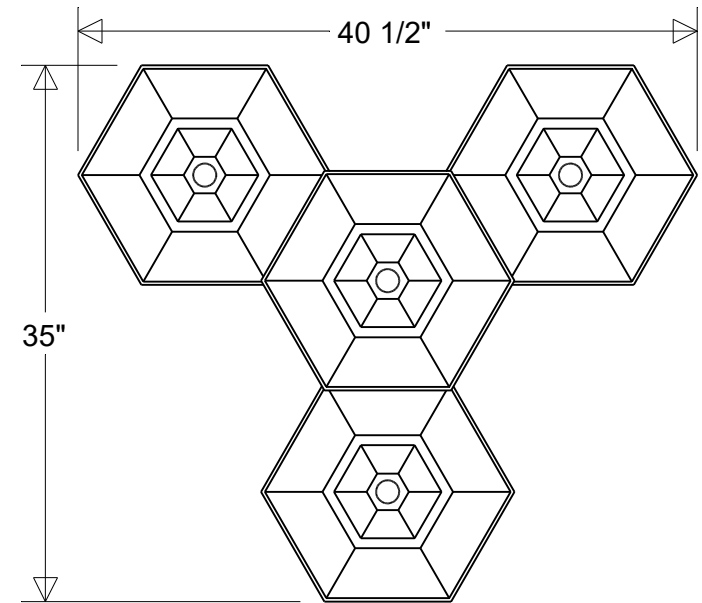
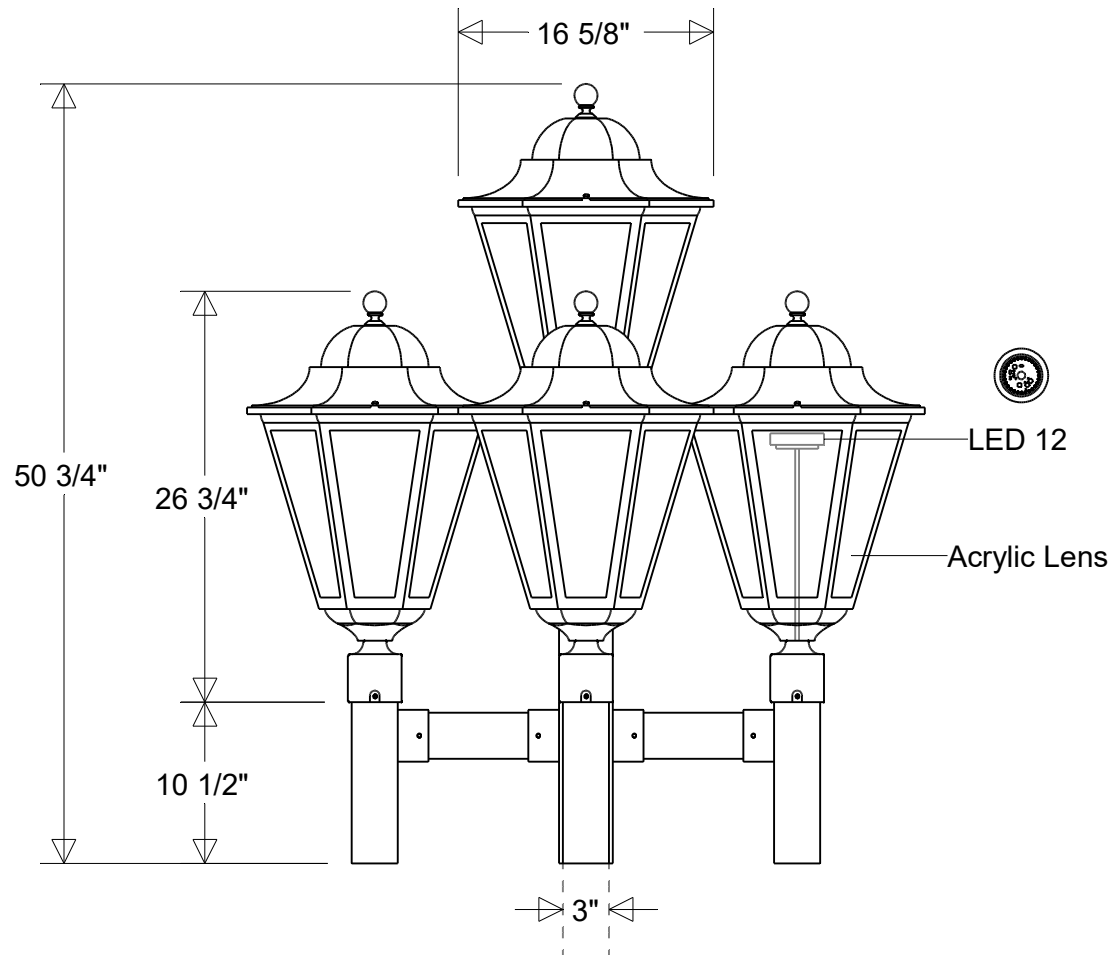


# Primelite Manufacturing Corp.

407 S Main St, Freeport, NY 11520  
 Phone: (516) 868-4411 | Fax: (516) 868-4609  
 sales@primelite-mfg.com | www.primelite-mfg.com

**PROUDLY MADE IN THE USA SINCE 1962!**  
**"SPECIALTIES ARE OUR SPECIALTY!"**

Job Info



## #1325/\* H4A LED 12

40 1/2" W | 35" Ext | 50 3/4" H | 3" Post Fitter  
 Lens: Smoke (\*1) | White (\*3) | Clear (\*4) | Frost (\*5)

Lamp: 12 W LED x4  
 CCT: 3K or 4K  
 75W Inc Equivalent  
 80 CRI  
 120V  
 Electronic Dimming

Finish:  
 29 Oven Baked  
 Powder Coated Paints  
 Material:  
 Aluminum  
 Acrylic Lens

Drawn:  
 CB  
 03/2026

Scale:  
 1 / 12.5

Note:  
 All dimensions are nominal.  
 Actual dimensions may vary.

Approvals
