

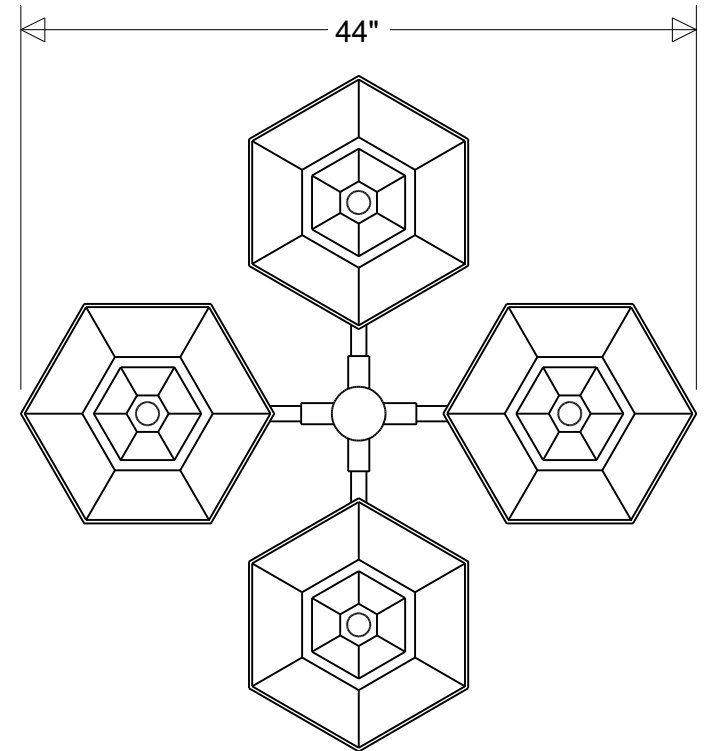
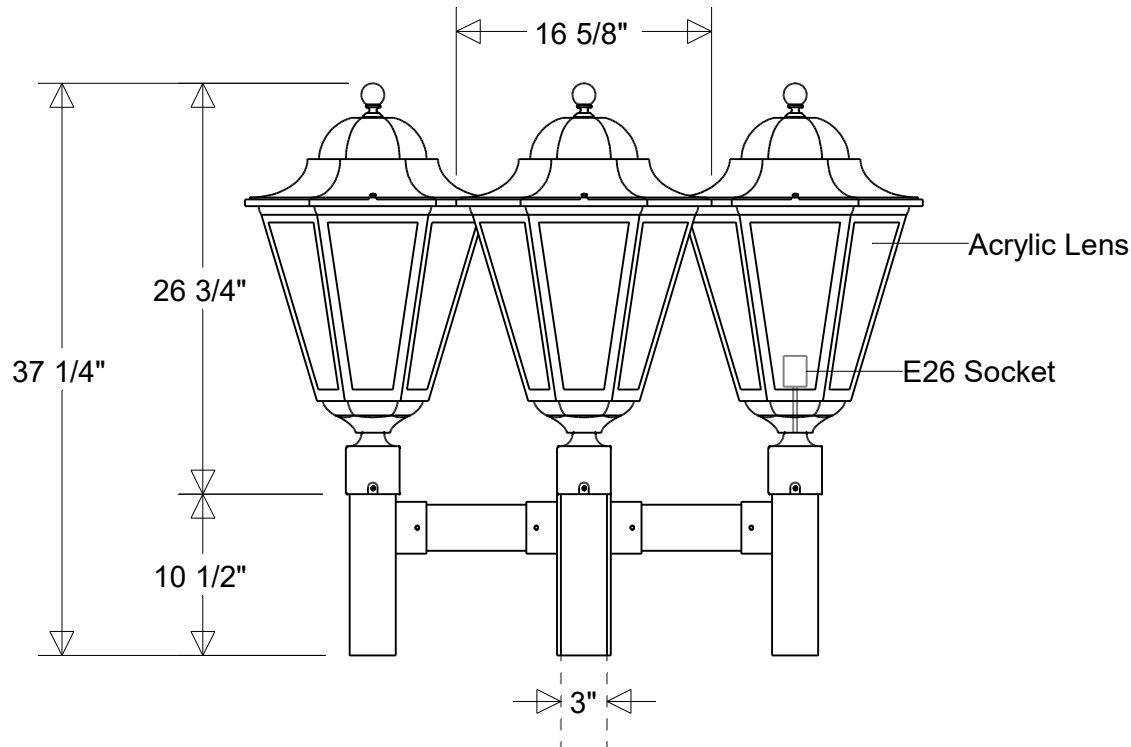


# Primelite Manufacturing Corp.

407 S Main St, Freeport, NY 11520  
 Phone: (516) 868-4411 | Fax: (516) 868-4609  
 sales@primelite-mfg.com | www.primelite-mfg.com

**PROUDLY MADE IN THE USA SINCE 1962!**  
**"SPECIALTIES ARE OUR SPECIALTY!"**

Job Info



## #1325/\* H4

44" W | 44" Ext | 37 1/4" H | 3" Post Fitter

Lens: Smoke (\*1) | White (\*3) | Clear (\*4) | Frost (\*5)

**Lamp: E26 Socket**

Max Wattage: 300 W

Number of Sockets: 4

120 V

**Finish:**

29 Oven Baked

Powder Coated Paints

**Material:**

Aluminum

Acrylic Lens

**Drawn:**

CB

03/2026

**Note:**

All dimensions are nominal.

Actual dimensions may vary.

**Scale:**

1 / 12.5

**Approvals**