

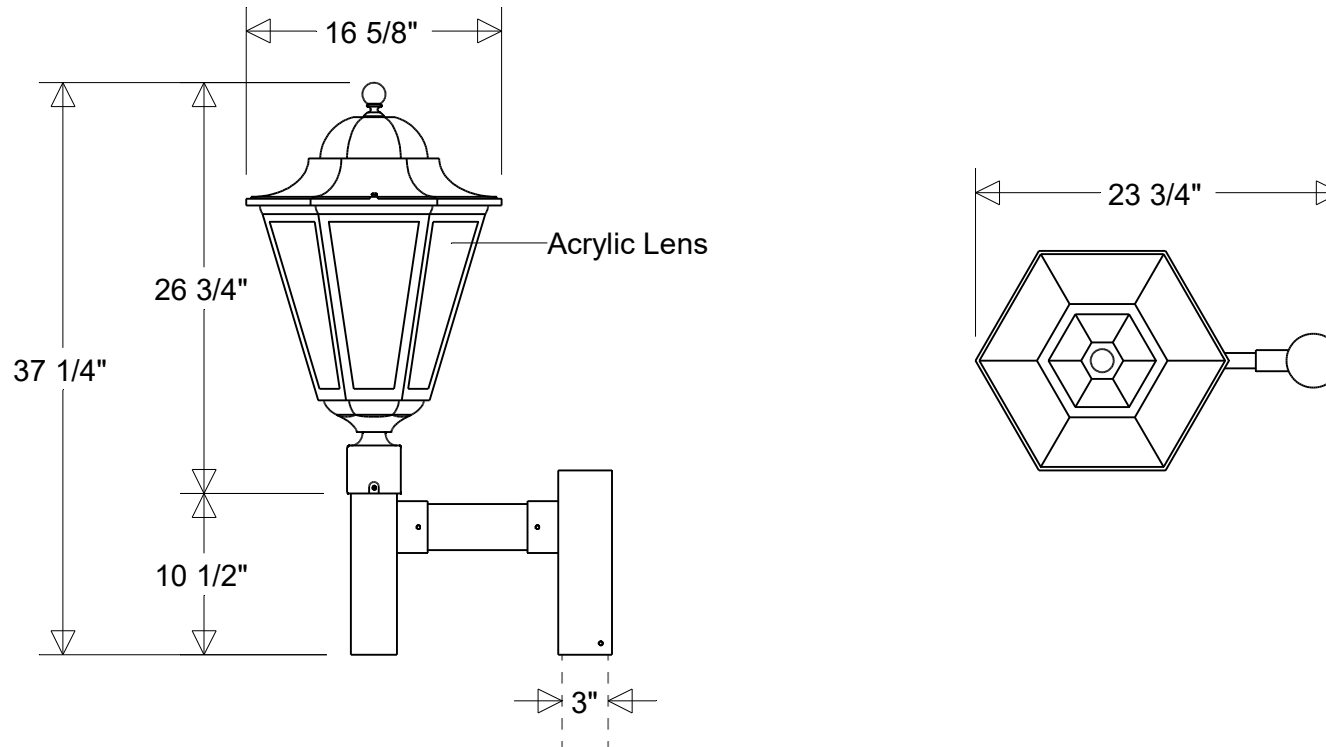


# Primelite Manufacturing Corp.

407 S Main St, Freeport, NY 11520  
 Phone: (516) 868-4411 | Fax: (516) 868-4609  
 sales@primelite-mfg.com | www.primelite-mfg.com

**PROUDLY MADE IN THE USA SINCE 1962!**  
**"SPECIALTIES ARE OUR SPECIALTY!"**

Job Info



## #1325/\* H1 Series

16 5/8" W | 23 3/4" Ext | 37 1/4" H | 3" Post Fitter  
 Lens: Smoke (\*1) | White (\*3) | Clear (\*4) | Frost (\*5)

<b>Lamp Options:</b> E26 Socket   E39 Socket LED12   LED22   LED48 LED40: Dimm   NonDimm LED68: Dimm   NonDimm LED100: Dimm   NonDimm	<b>Finish:</b> 29 Oven Baked Powder Coated Paints	<b>Drawn:</b> CB 03/2026	<b>Scale:</b> 1 / 12.5	<b>Approvals</b>   	
	<b>Material:</b> Aluminum Acrylic Lens	<b>Note:</b> All dimensions are nominal. Actual dimensions may vary.			

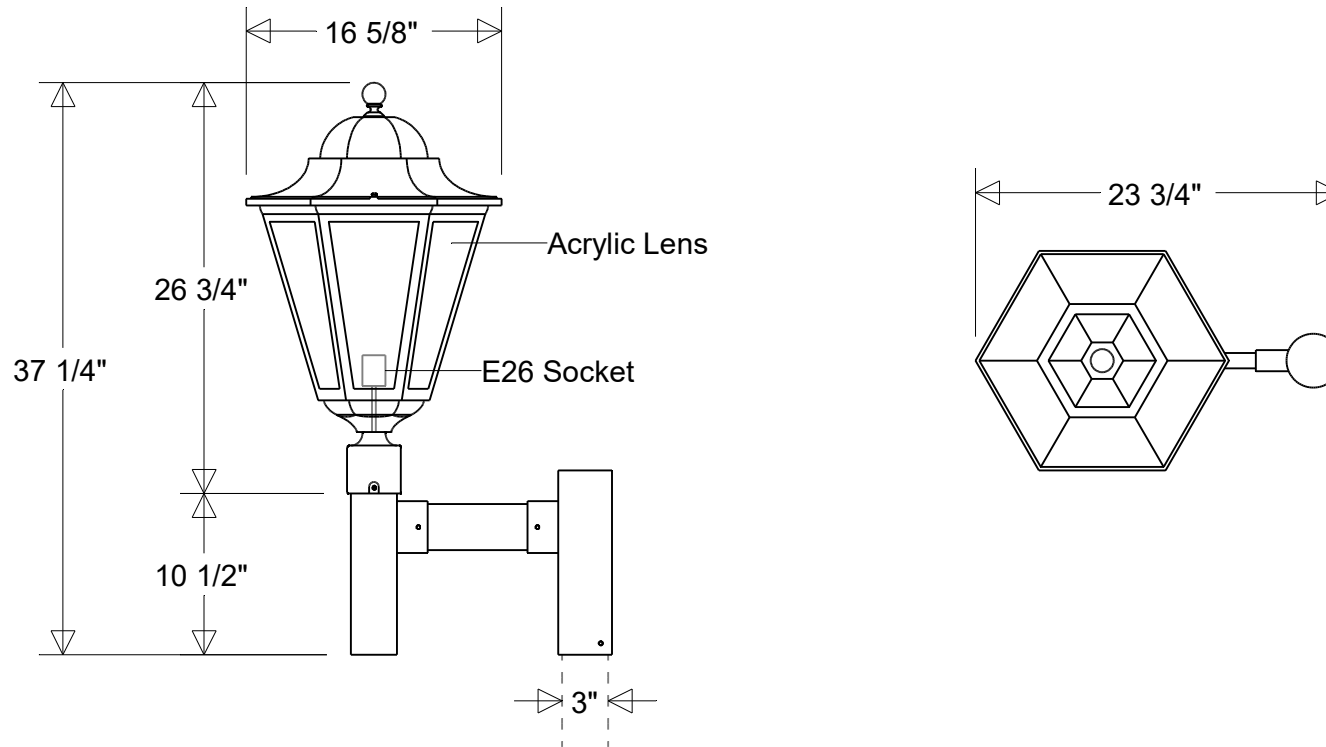


# Primelite Manufacturing Corp.

407 S Main St, Freeport, NY 11520  
 Phone: (516) 868-4411 | Fax: (516) 868-4609  
 sales@primelite-mfg.com | www.primelite-mfg.com

**PROUDLY MADE IN THE USA SINCE 1962!**  
**"SPECIALTIES ARE OUR SPECIALTY!"**

Job Info



## #1325/\* H1

16 5/8" W | 23 3/4" Ext | 37 1/4" H | 3" Post Fitter  
 Lens: Smoke (\*1) | White (\*3) | Clear (\*4) | Frost (\*5)

<b>Lamp: E26 Socket</b> Max Wattage: 300 W Number of Sockets: 1 120 V	<b>Finish:</b> 29 Oven Baked Powder Coated Paints	<b>Drawn:</b> CB 03/2026	<b>Scale:</b> 1 / 12.5	<b>Approvals</b>   	
	<b>Material:</b> Aluminum Acrylic Lens	<b>Note:</b> All dimensions are nominal. Actual dimensions may vary.			

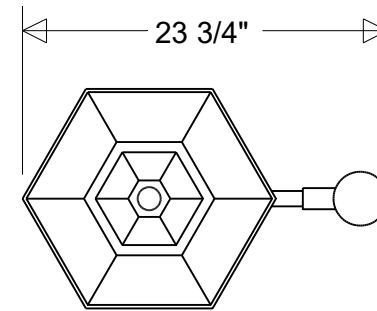
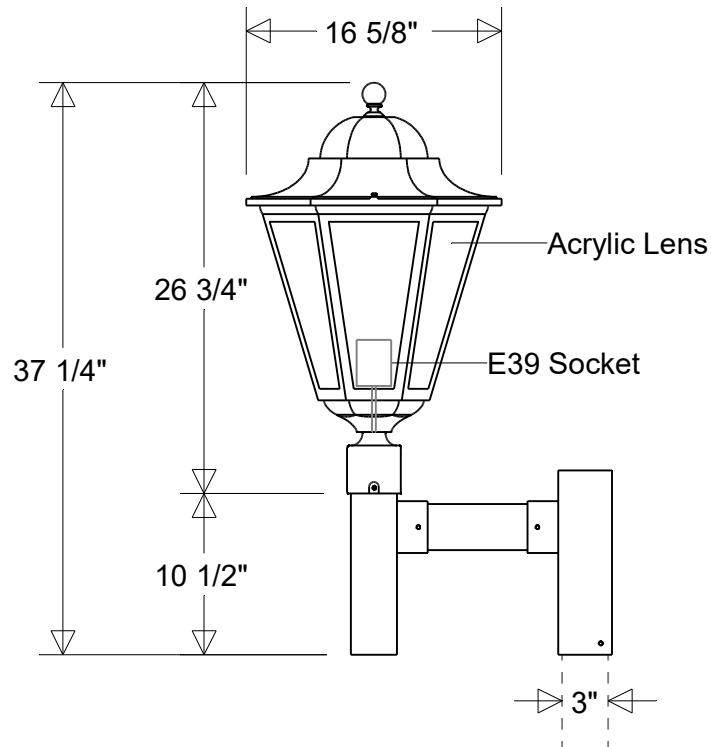


# Primelite Manufacturing Corp.

407 S Main St, Freeport, NY 11520  
 Phone: (516) 868-4411 | Fax: (516) 868-4609  
 sales@primelite-mfg.com | www.primelite-mfg.com

**PROUDLY MADE IN THE USA SINCE 1962!**  
**"SPECIALTIES ARE OUR SPECIALTY!"**

Job Info



## #1325/\* H1 E39

16 5/8" W | 23 3/4" Ext | 37 1/4" H | 3" Post Fitter  
 Lens: Smoke (\*1) | White (\*3) | Clear (\*4) | Frost (\*5)

<b>Lamp: E39 Socket</b> Max Wattage: 300 W Number of Sockets: 1 120 V	<b>Finish:</b> 29 Oven Baked Powder Coated Paints	<b>Drawn:</b> CB 03/2026	<b>Scale:</b> 1 / 12.5	<b>Approvals</b>	
	<b>Material:</b> Aluminum Acrylic Lens	<b>Note:</b> All dimensions are nominal. Actual dimensions may vary.			

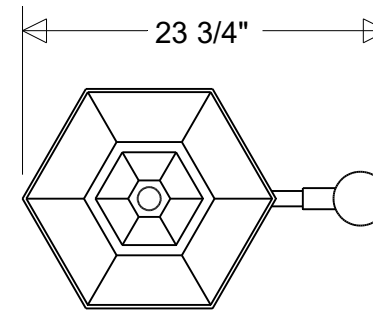
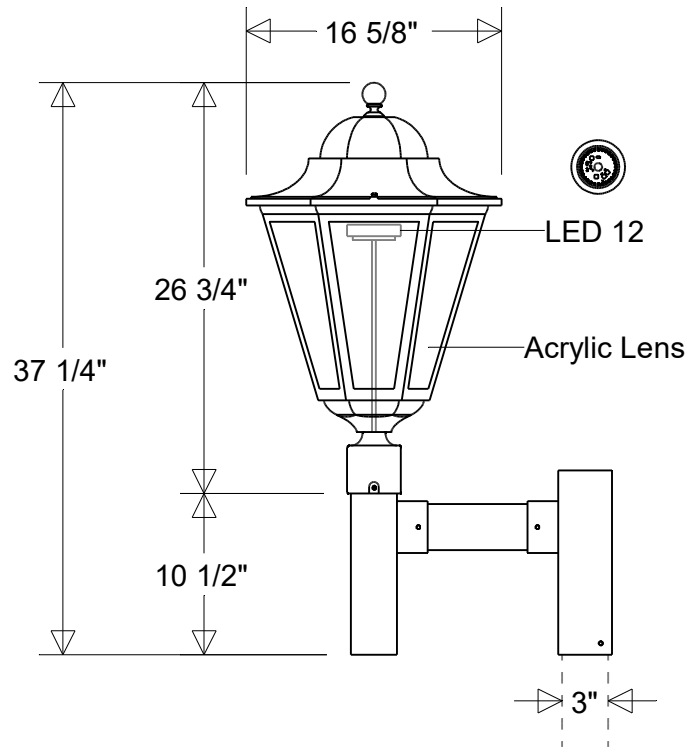


# Primelite Manufacturing Corp.

407 S Main St, Freeport, NY 11520  
 Phone: (516) 868-4411 | Fax: (516) 868-4609  
 sales@primelite-mfg.com | www.primelite-mfg.com

**PROUDLY MADE IN THE USA SINCE 1962!**  
**"SPECIALTIES ARE OUR SPECIALTY!"**

Job Info



## #1325/\* H1 LED 12

16 5/8" W | 23 3/4" Ext | 37 1/4" H | 3" Post Fitter  
 Lens: Smoke (\*1) | White (\*3) | Clear (\*4) | Frost (\*5)

**Lamp:** 12 W LED  
 CCT: 3K or 4K  
 75W Inc Equivalent  
 80 CRI  
 120V  
 Electronic Dimming

**Finish:**  
 29 Oven Baked  
 Powder Coated Paints  
**Material:**  
 Aluminum  
 Acrylic Lens

**Drawn:**  
 CB  
 03/2026

**Scale:**  
 1 / 12.5

**Note:**  
 All dimensions are nominal.  
 Actual dimensions may vary.

Approvals

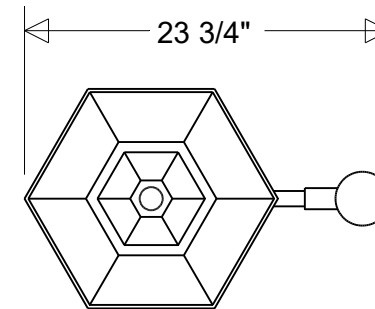
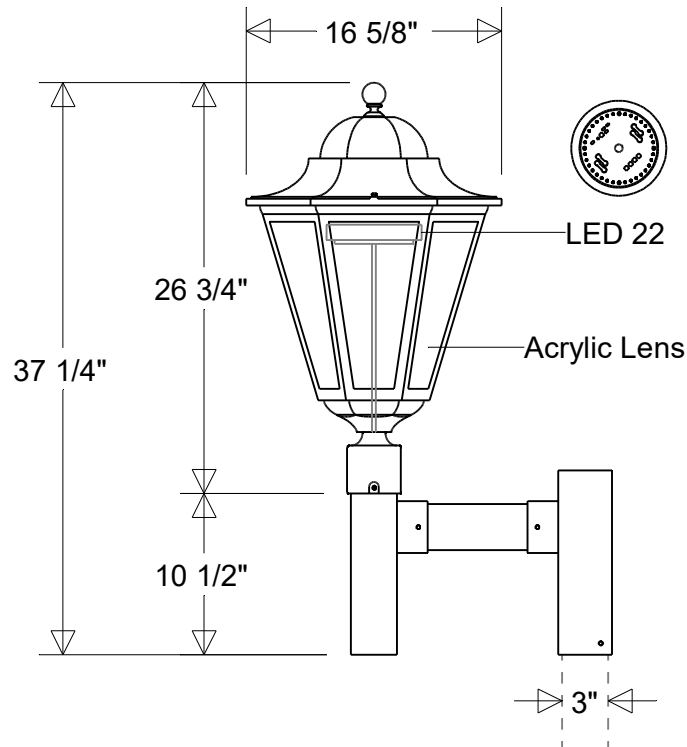



# Primelite Manufacturing Corp.

407 S Main St, Freeport, NY 11520  
 Phone: (516) 868-4411 | Fax: (516) 868-4609  
 sales@primelite-mfg.com | www.primelite-mfg.com

**PROUDLY MADE IN THE USA SINCE 1962!**  
**"SPECIALTIES ARE OUR SPECIALTY!"**

Job Info



## #1325/\* H1 LED 22

16 5/8" W | 23 3/4" Ext | 37 1/4" H | 3" Post Fitter  
 Lens: Smoke (\*1) | White (\*3) | Clear (\*4) | Frost (\*5)

**Lamp: 22 W LED**  
 CCT: 3K or 4K  
 125W Inc Equivalent  
 80 CRI  
 120V  
 Electronic Dimming

**Finish:**  
 29 Oven Baked  
 Powder Coated Paints  
**Material:**  
 Aluminum  
 Acrylic Lens

**Drawn:**  
 CB  
 03/2026  
**Scale:**  
 1 / 12.5  
**Note:**  
 All dimensions are nominal.  
 Actual dimensions may vary.

Approvals

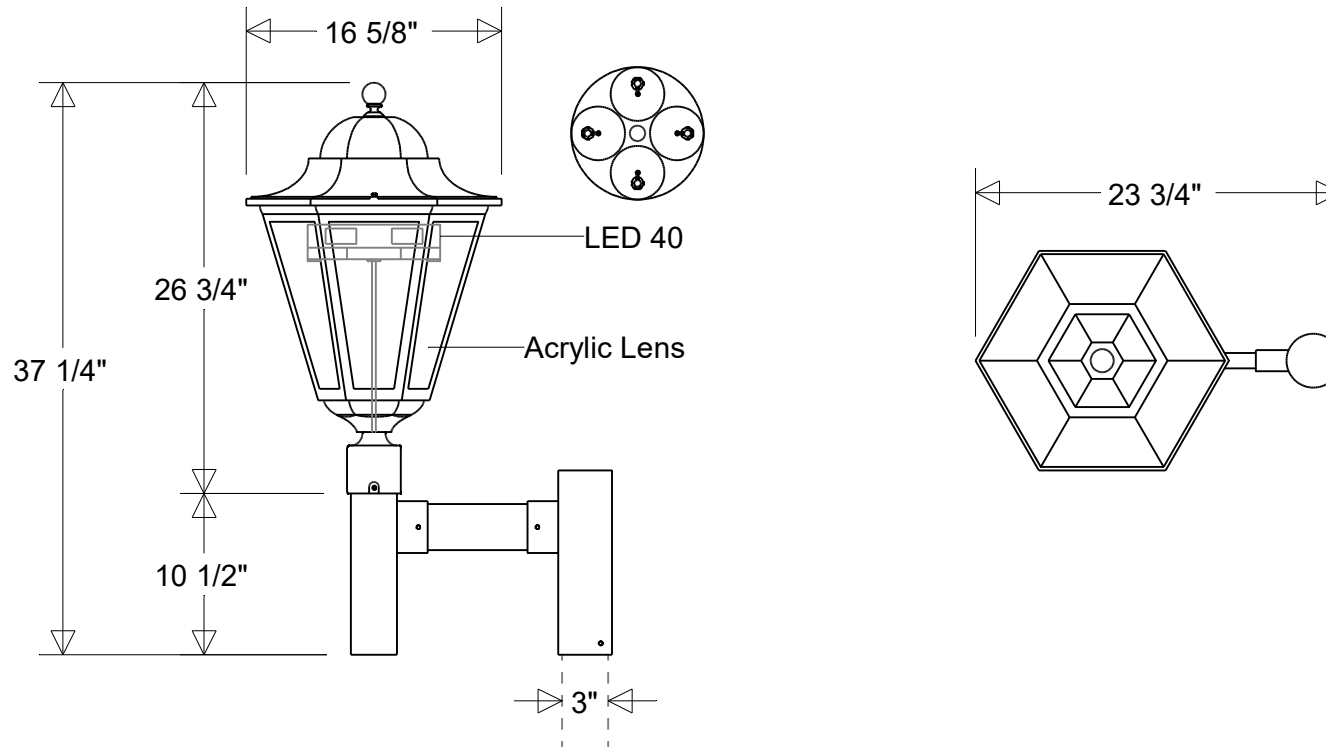



# Primelite Manufacturing Corp.

407 S Main St, Freeport, NY 11520  
 Phone: (516) 868-4411 | Fax: (516) 868-4609  
 sales@primelite-mfg.com | www.primelite-mfg.com

**PROUDLY MADE IN THE USA SINCE 1962!**  
**"SPECIALTIES ARE OUR SPECIALTY!"**

Job Info



## #1325/\* H1 LED 40 Dimm

16 5/8" W | 23 3/4" Ext | 37 1/4" H | 3" Post Fitter  
 Lens: Smoke (\*1) | White (\*3) | Clear (\*4) | Frost (\*5)

<b>Lamp: 40 W LED</b> CCT: 3K or 4K   Others 75W MH Equivalent 80 CRI 120-277 V 0-10 V Dimming	<b>Finish:</b> 29 Oven Baked Powder Coated Paints	<b>Drawn:</b> CB 03/2026	<b>Scale:</b> 1 / 12.5	<b>Approvals</b>   
	<b>Material:</b> Aluminum Acrylic Lens	<b>Note:</b> All dimensions are nominal. Actual dimensions may vary.		

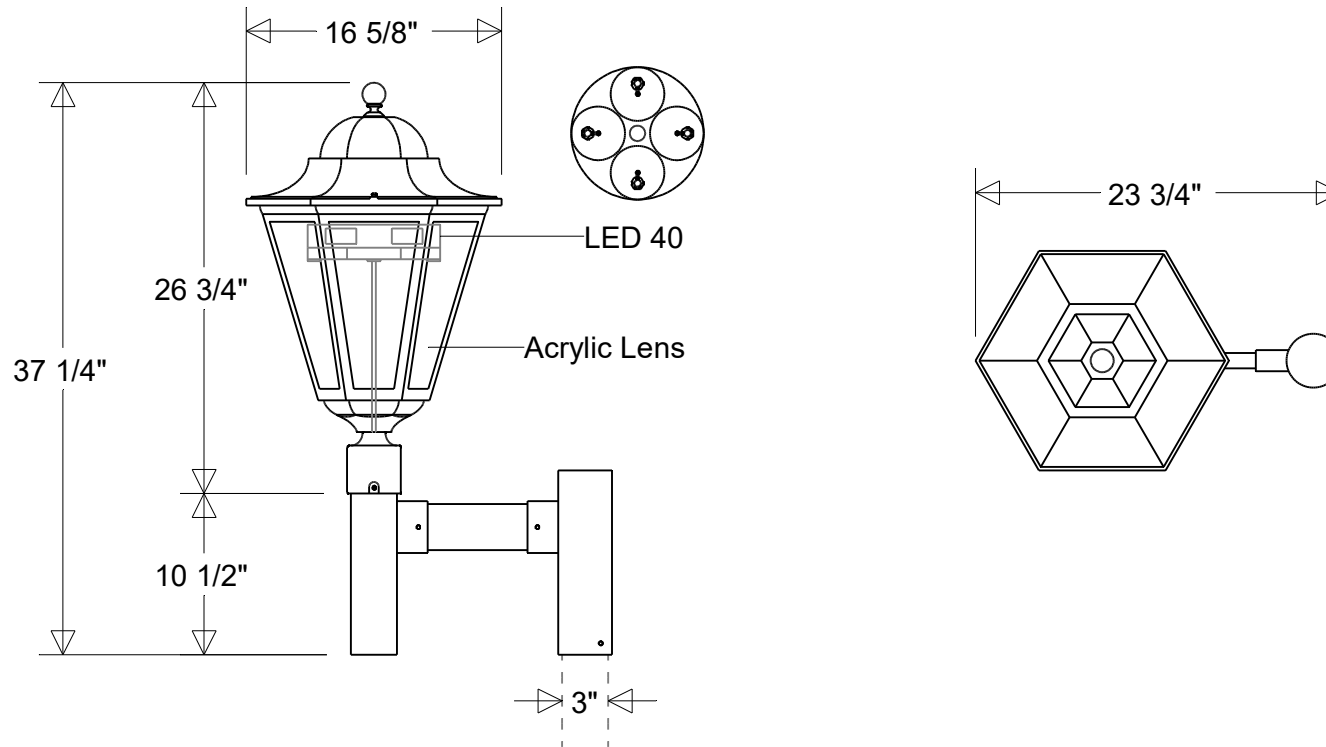


# Primelite Manufacturing Corp.

407 S Main St, Freeport, NY 11520  
 Phone: (516) 868-4411 | Fax: (516) 868-4609  
 sales@primelite-mfg.com | www.primelite-mfg.com

**PROUDLY MADE IN THE USA SINCE 1962!**  
**"SPECIALTIES ARE OUR SPECIALTY!"**

Job Info



## #1325/\* H1 LED 40 NonDimm

16 5/8" W | 23 3/4" Ext | 37 1/4" H | 3" Post Fitter  
 Lens: Smoke (\*1) | White (\*3) | Clear (\*4) | Frost (\*5)

<b>Lamp: 40 W LED</b> CCT: 3K or 4K   Others 75W MH Equivalent 80 CRI 120-277 V Non-Dimming	<b>Finish:</b> 29 Oven Baked Powder Coated Paints <b>Material:</b> Aluminum Acrylic Lens	<b>Drawn:</b> CB 03/2026 <b>Note:</b> All dimensions are nominal. Actual dimensions may vary.	<b>Scale:</b> 1 / 12.5	<b>Approvals</b>	

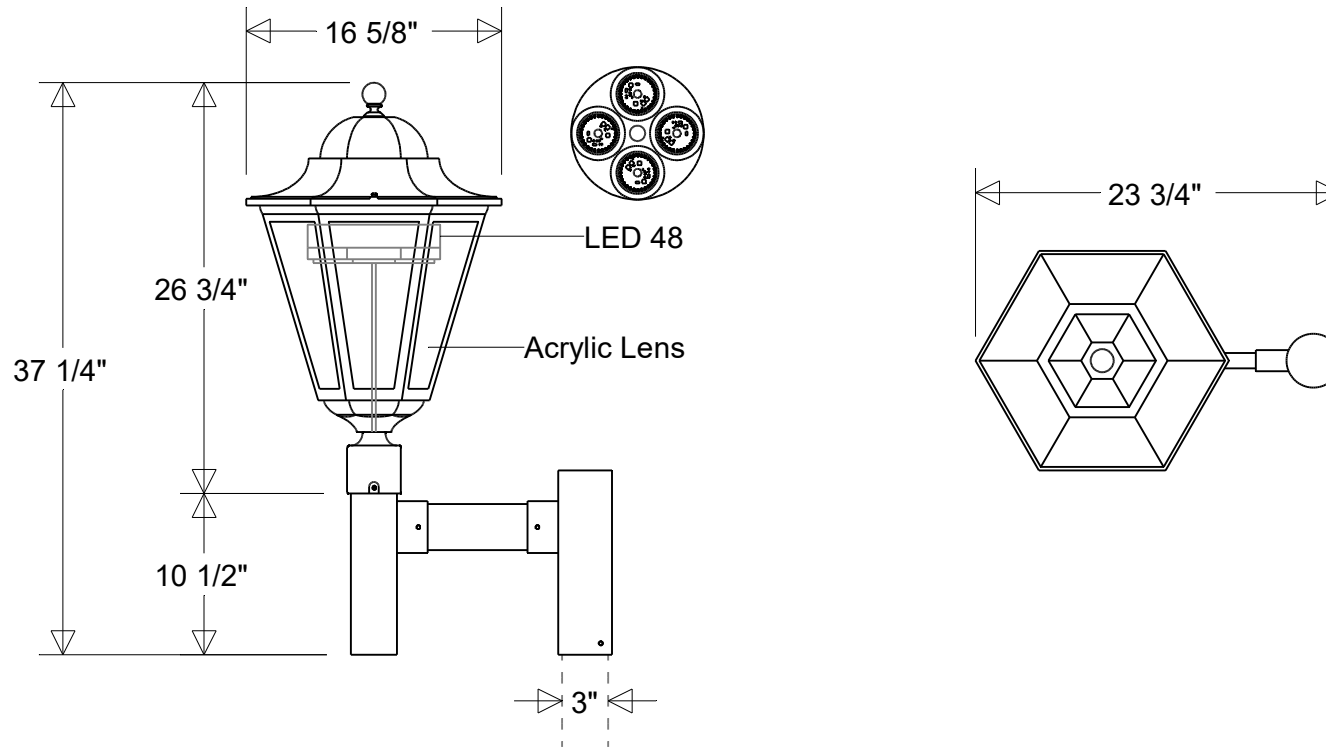


# Primelite Manufacturing Corp.

407 S Main St, Freeport, NY 11520  
 Phone: (516) 868-4411 | Fax: (516) 868-4609  
 sales@primelite-mfg.com | www.primelite-mfg.com

**PROUDLY MADE IN THE USA SINCE 1962!**  
**"SPECIALTIES ARE OUR SPECIALTY!"**

Job Info



## #1325/\* H1 LED 48

16 5/8" W | 23 3/4" Ext | 37 1/4" H | 3" Post Fitter  
 Lens: Smoke (\*1) | White (\*3) | Clear (\*4) | Frost (\*5)

<b>Lamp: 48 W LED</b> CCT: 3K or 4K 75W MH Equivalent 80 CRI 120V Electronic Dimming	<b>Finish:</b> 29 Oven Baked Powder Coated Paints <b>Material:</b> Aluminum Acrylic Lens	<b>Drawn:</b> CB 03/2026 <b>Note:</b> All dimensions are nominal. Actual dimensions may vary.	<b>Scale:</b> 1 / 12.5	<b>Approvals</b>	

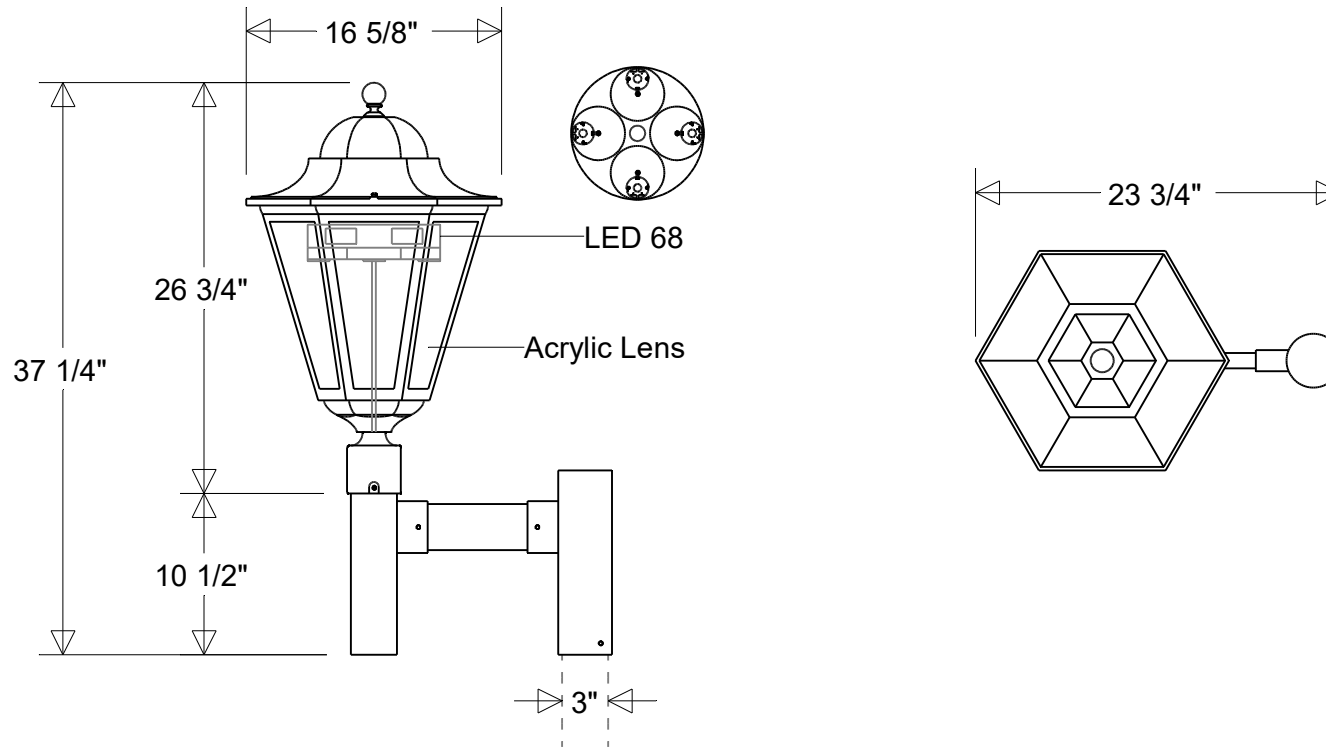


# Primelite Manufacturing Corp.

407 S Main St, Freeport, NY 11520  
 Phone: (516) 868-4411 | Fax: (516) 868-4609  
 sales@primelite-mfg.com | www.primelite-mfg.com

**PROUDLY MADE IN THE USA SINCE 1962!**  
**"SPECIALTIES ARE OUR SPECIALTY!"**

Job Info



## #1325/\* H1 LED 68 Dimm

16 5/8" W | 23 3/4" Ext | 37 1/4" H | 3" Post Fitter  
 Lens: Smoke (\*1) | White (\*3) | Clear (\*4) | Frost (\*5)

<b>Lamp: 68 W LED</b> CCT: 3K or 4K   Others 125W MH Equivalent 80 CRI 120-277 V 0-10 V Dimming	<b>Finish:</b> 29 Oven Baked Powder Coated Paints <b>Material:</b> Aluminum Acrylic Lens	<b>Drawn:</b> CB 03/2026 <b>Note:</b> All dimensions are nominal. Actual dimensions may vary.	<b>Scale:</b> 1 / 12.5	<b>Approvals</b>	

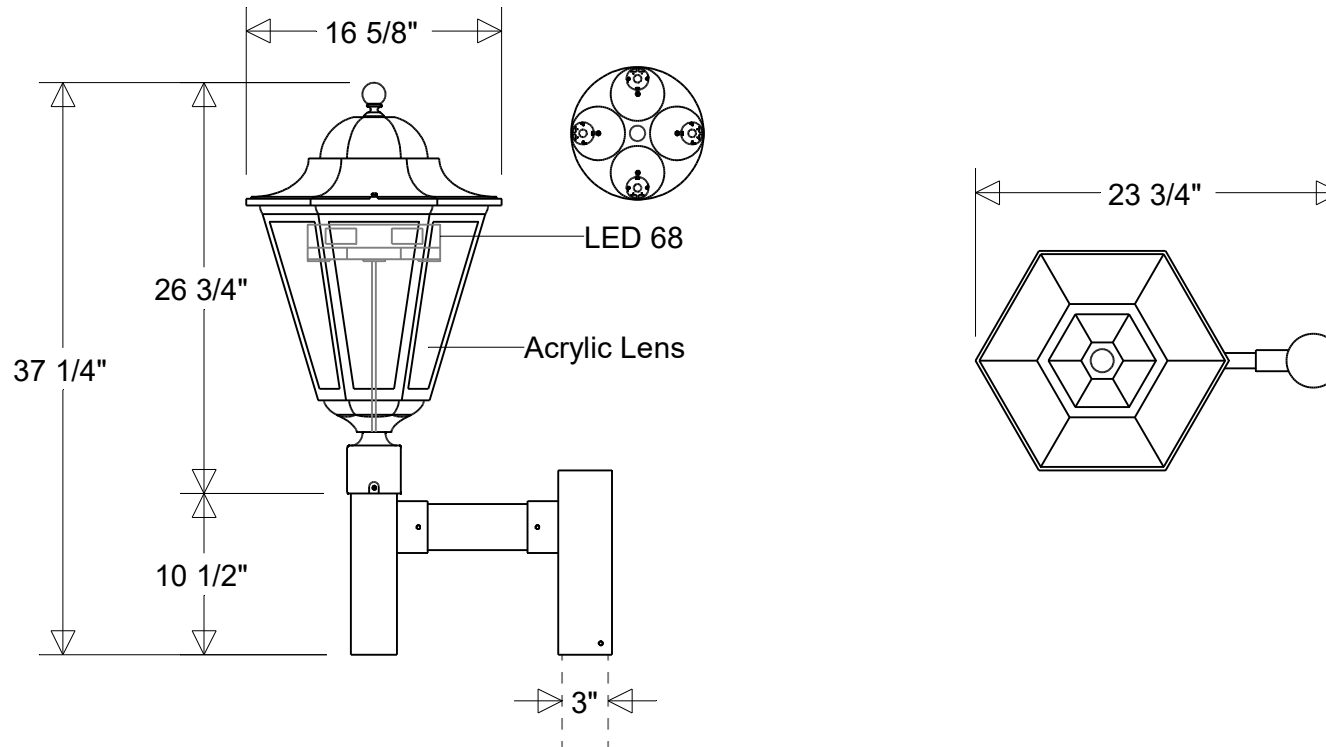


# Primelite Manufacturing Corp.

407 S Main St, Freeport, NY 11520  
 Phone: (516) 868-4411 | Fax: (516) 868-4609  
 sales@primelite-mfg.com | www.primelite-mfg.com

**PROUDLY MADE IN THE USA SINCE 1962!**  
**"SPECIALTIES ARE OUR SPECIALTY!"**

Job Info



## #1325/\* H1 LED 68 NonDimm

16 5/8" W | 23 3/4" Ext | 37 1/4" H | 3" Post Fitter  
 Lens: Smoke (\*1) | White (\*3) | Clear (\*4) | Frost (\*5)

<b>Lamp: 68 W LED</b> CCT: 3K or 4K   Others 125W MH Equivalent 80 CRI 120-277 V Non-Dimming	<b>Finish:</b> 29 Oven Baked Powder Coated Paints <b>Material:</b> Aluminum Acrylic Lens	<b>Drawn:</b> CB 03/2026 <b>Note:</b> All dimensions are nominal. Actual dimensions may vary.	<b>Scale:</b> 1 / 12.5	<b>Approvals</b>	

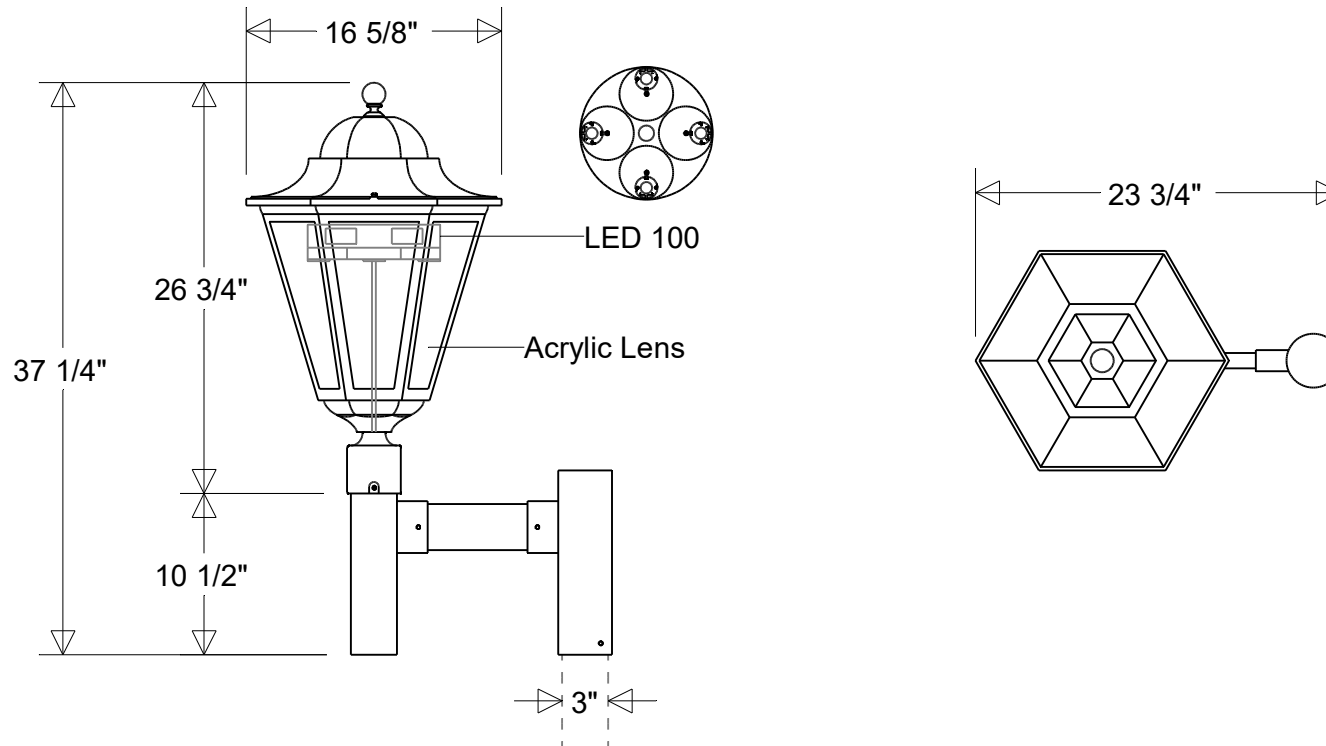


# Primelite Manufacturing Corp.

407 S Main St, Freeport, NY 11520  
 Phone: (516) 868-4411 | Fax: (516) 868-4609  
 sales@primelite-mfg.com | www.primelite-mfg.com

**PROUDLY MADE IN THE USA SINCE 1962!**  
**"SPECIALTIES ARE OUR SPECIALTY!"**

Job Info



## #1325/\* H1 LED 100 Dimm

16 5/8" W | 23 3/4" Ext | 37 1/4" H | 3" Post Fitter  
 Lens: Smoke (\*1) | White (\*3) | Clear (\*4) | Frost (\*5)

<b>Lamp: 100 W LED</b> CCT: 3K or 4K   Others 200W MH Equivalent 80 CRI 120-277 V 0-10 V Dimming	<b>Finish:</b> 29 Oven Baked Powder Coated Paints <b>Material:</b> Aluminum Acrylic Lens	<b>Drawn:</b> CB 03/2026 <b>Note:</b> All dimensions are nominal. Actual dimensions may vary.	<b>Scale:</b> 1 / 12.5	<b>Approvals</b>	

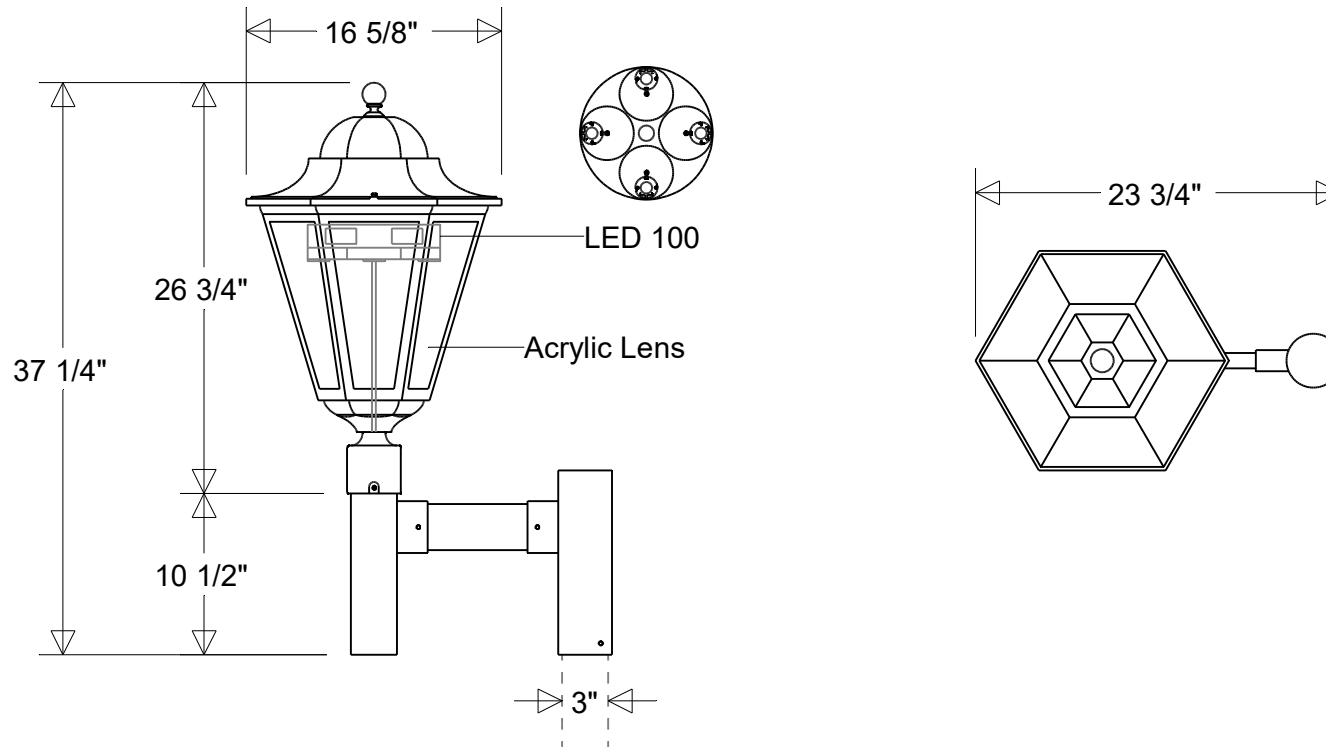


# Primelite Manufacturing Corp.

407 S Main St, Freeport, NY 11520  
 Phone: (516) 868-4411 | Fax: (516) 868-4609  
 sales@primelite-mfg.com | www.primelite-mfg.com

**PROUDLY MADE IN THE USA SINCE 1962!**  
**"SPECIALTIES ARE OUR SPECIALTY!"**

Job Info



## #1325/\* H1 LED 100 NonDimm

16 5/8" W | 23 3/4" Ext | 37 1/4" H | 3" Post Fitter  
 Lens: Smoke (\*1) | White (\*3) | Clear (\*4) | Frost (\*5)

<b>Lamp: 100 W LED</b> CCT: 3K or 4K   Others 200W MH Equivalent 80 CRI 120-277 V Non-Dimming	<b>Finish:</b> 29 Oven Baked Powder Coated Paints	<b>Drawn:</b> CB 03/2026	<b>Scale:</b> 1 / 12.5	<b>Approvals</b>   
	<b>Material:</b> Aluminum Acrylic Lens	<b>Note:</b> All dimensions are nominal. Actual dimensions may vary.		