

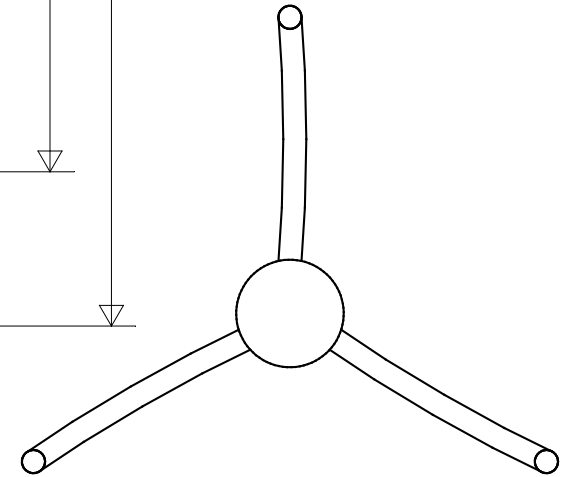
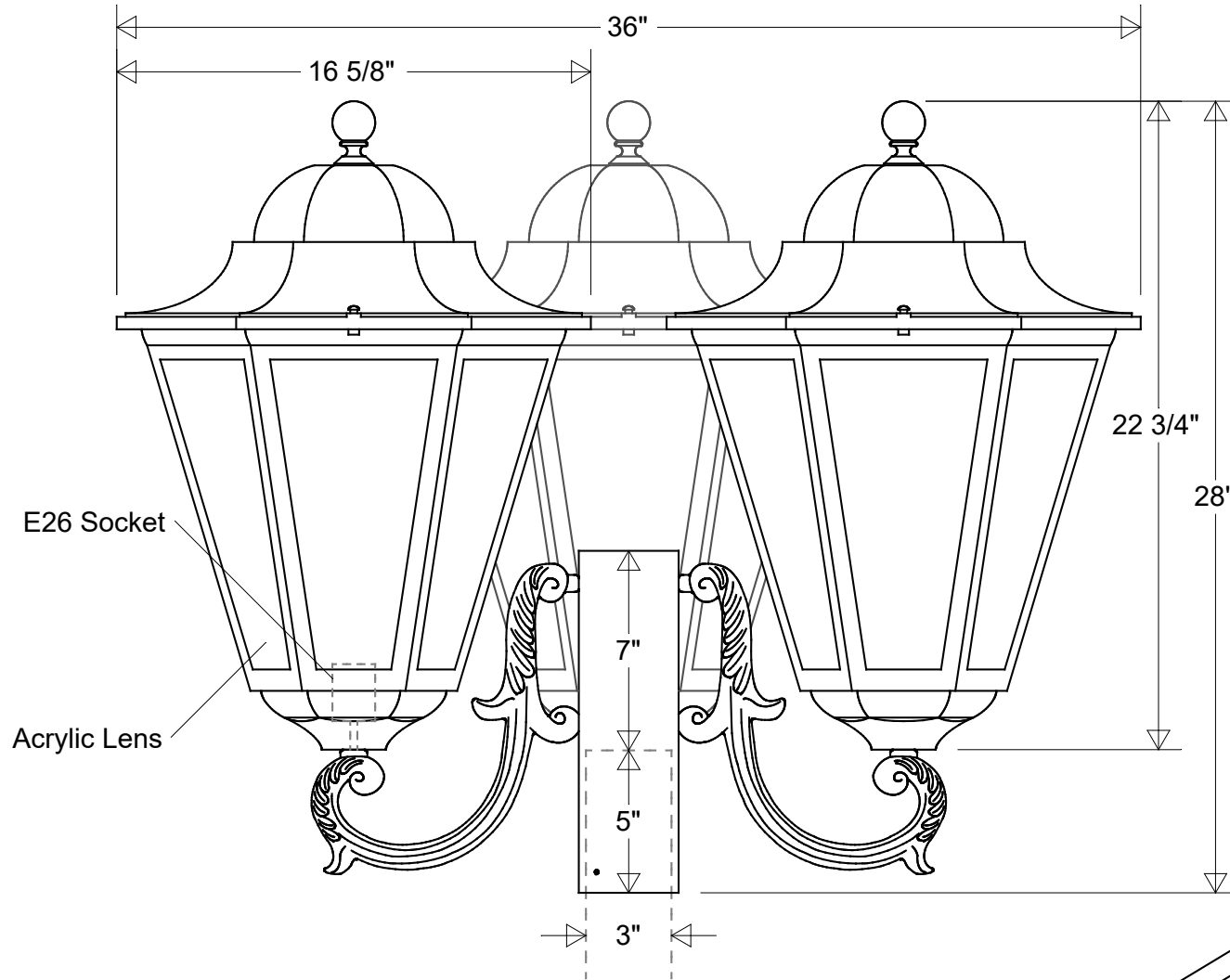



# Primelite Manufacturing Corp

407 S Main St, Freeport, NY 11520

Phone: 516-868-4411 | Fax: 516-868-4609  
 sales@primelite-mfg.com | www.primelite-mfg.com

PART # #1325 CA3A	LAMP E26 Socket	VOLTAGE 120 V	COLOR Powder Coated Paint
JOB NAME			TYPE Cast Lantern



Lamp: E26 Socket Max Wattage: 200 W 	Initials	Date	<b>Post Light #1325 CA3A</b> 16 5/8" Dia   36" W   28" H   Fits 3" OD Round Posts Acrylic: Smoke(/1)   White(/3)   Clear(/4)   Frosted(/5)																													
	Drawn	CB						12/2022																								
	Checked			Size    Drawing No.    Rev <b>A</b> <b>0001</b> <b>A</b>		<b>Revisions</b> <table border="1"> <thead> <tr> <th>Zone</th> <th>Rev</th> <th>Description</th> <th>Date</th> <th>Appr</th> </tr> </thead> <tbody> <tr><td> </td><td> </td><td> </td><td> </td><td> </td></tr> <tr><td> </td><td> </td><td> </td><td> </td><td> </td></tr> <tr><td> </td><td> </td><td> </td><td> </td><td> </td></tr> <tr><td> </td><td> </td><td> </td><td> </td><td> </td></tr> </tbody> </table>			Zone	Rev	Description	Date	Appr																			
Zone	Rev	Description	Date	Appr																												
Construction: Aluminum   Acrylic	MFR Appr.																															
Unless Otherwise Specified: Dimensions in Inches	Weight:		Scale	CAD File	Sheet	<b>1 of 1</b>																										