

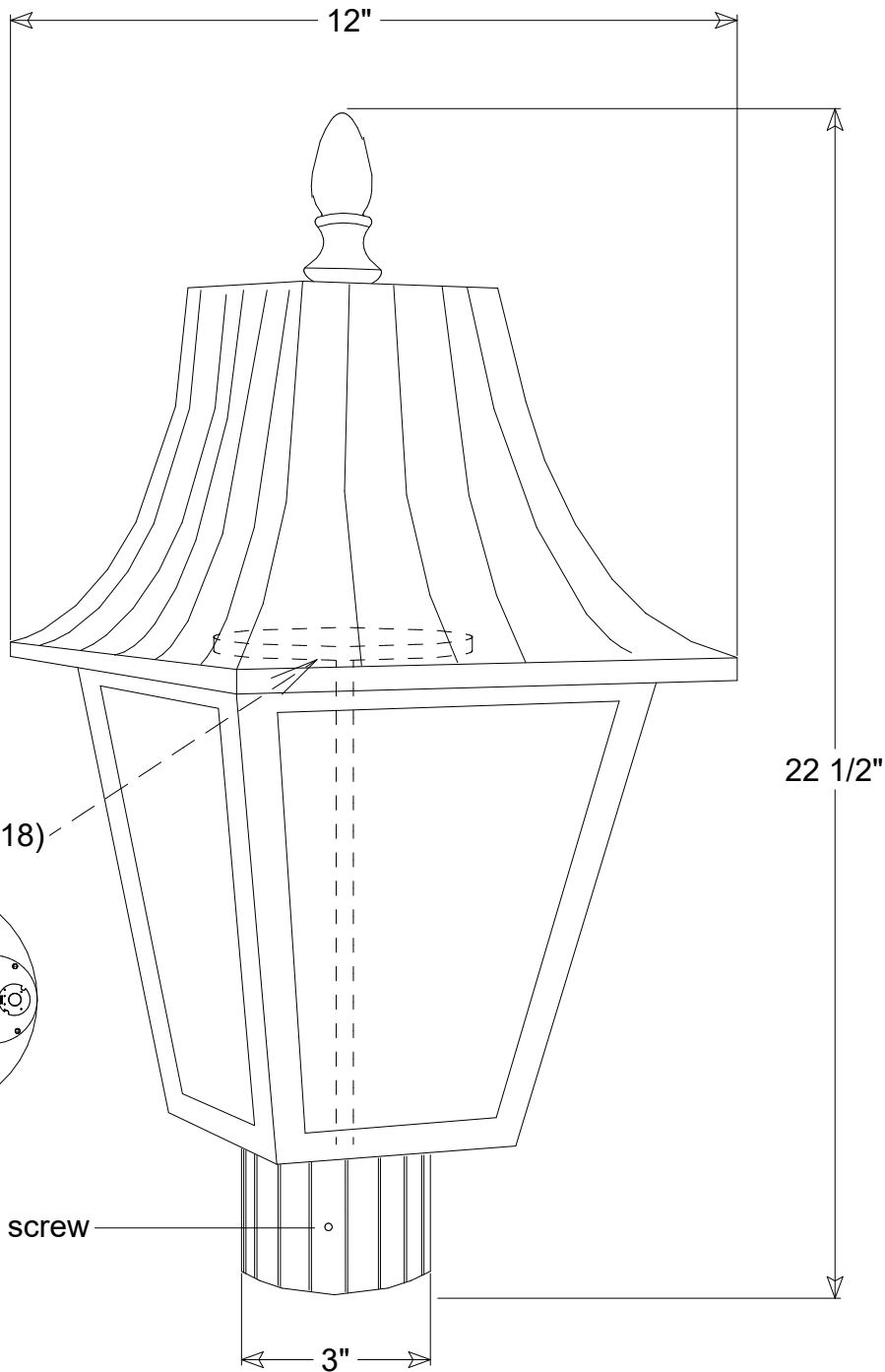



Primelite Manufacturing Corp

407 S Main St, Freeport, NY 11520

Phone: 516-868-4411 | Fax: 516-868-4609
 sales@primelite-mfg.com | www.primelite-mfg.com

PART # #1323-3	LAMP Incandescent LED	VOLTAGE 120 V	COLOR Powder Coated Paint
JOB NAME			TYPE Post Light



Lamp: Incandescent LED  LED 72 (LED 18 X4)	Name		Date		Post Light #1323 LED 72 22 1/2" H 12" W Fits 3" Post 3K=16,200 LM 4K=16,800 LM		
	Drawn	CB	9/19				
	Checked				Size	Drawing No.	Rev
	ENG Appr.				A	0001	A
	MFR Appr.				Scale	CAD File	Sheet
Construction: Aluminum	QA					1 of 1	
Unless Otherwise Specified: Dimensions in Inches	Weight						

Revisions				
Zone	Rev	Description	Date	Approved