

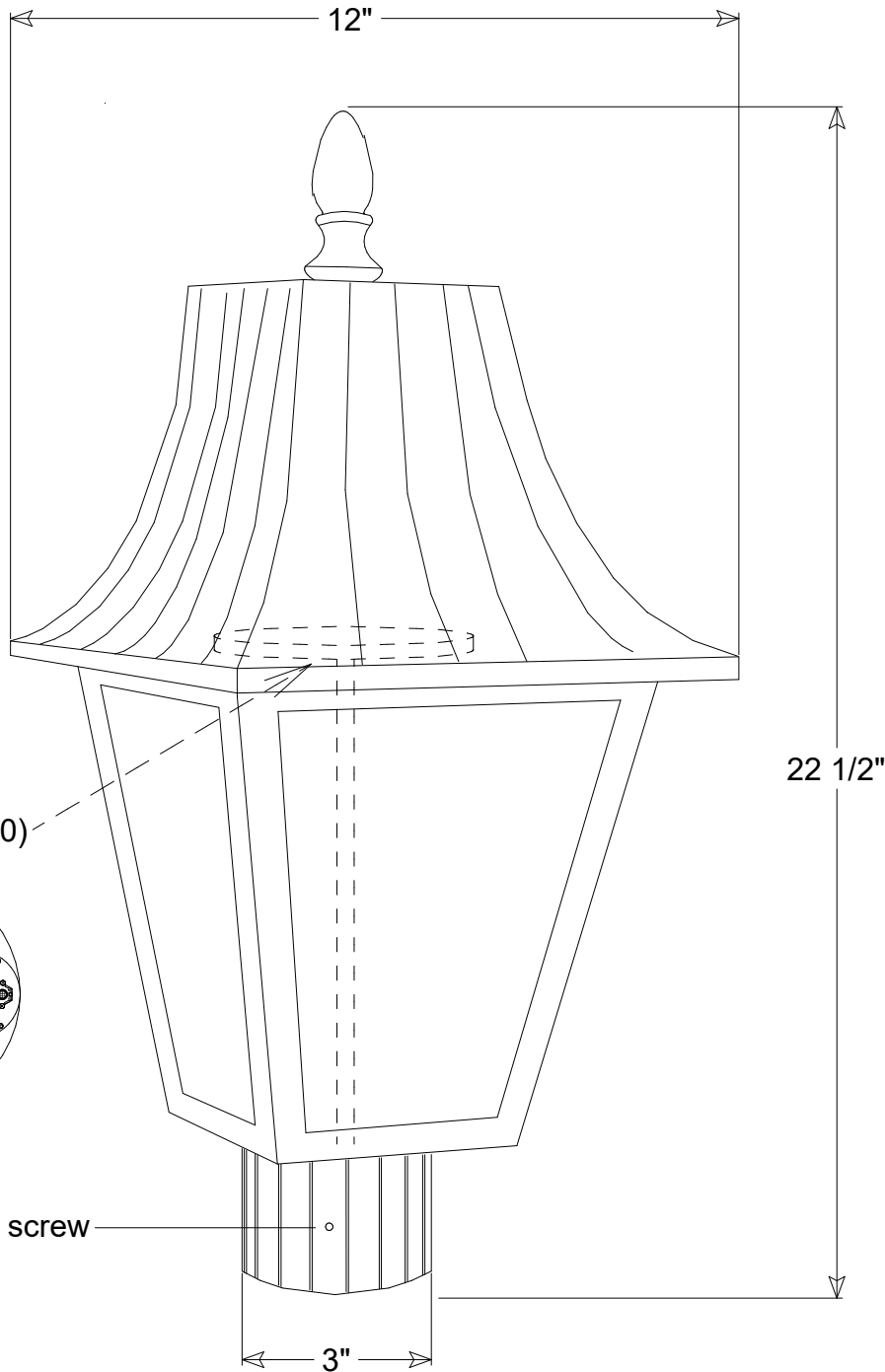


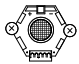
Primelite Manufacturing Corp

407 S Main St, Freeport, NY 11520

Phone: 516-868-4411 | Fax: 516-868-4609
 sales@primelite-mfg.com | www.primelite-mfg.com

PART # #1323-3	LAMP Incandescent LED	VOLTAGE 120 V	COLOR Powder Coated Paint
JOB NAME			TYPE Post Light



Lamp: Incandescent LED  LED 40 (LED 10 X4)	Name	Date	Post Light #1323 LED 40 22 1/2" H 12" W Fits 3" Post 3K=4,560 LM 4K=4,800 LM		
	Drawn	CB 9/19			
	Checked		Size	Drawing No.	Rev
	ENG Appr.		A	0001	A
Construction: Aluminum	MFR Appr.		Scale	CAD File	Sheet
Unless Otherwise Specified: Dimensions in Inches	QA				1 of 1
	Weight				

Revisions				
Zone	Rev	Description	Date	Approved