

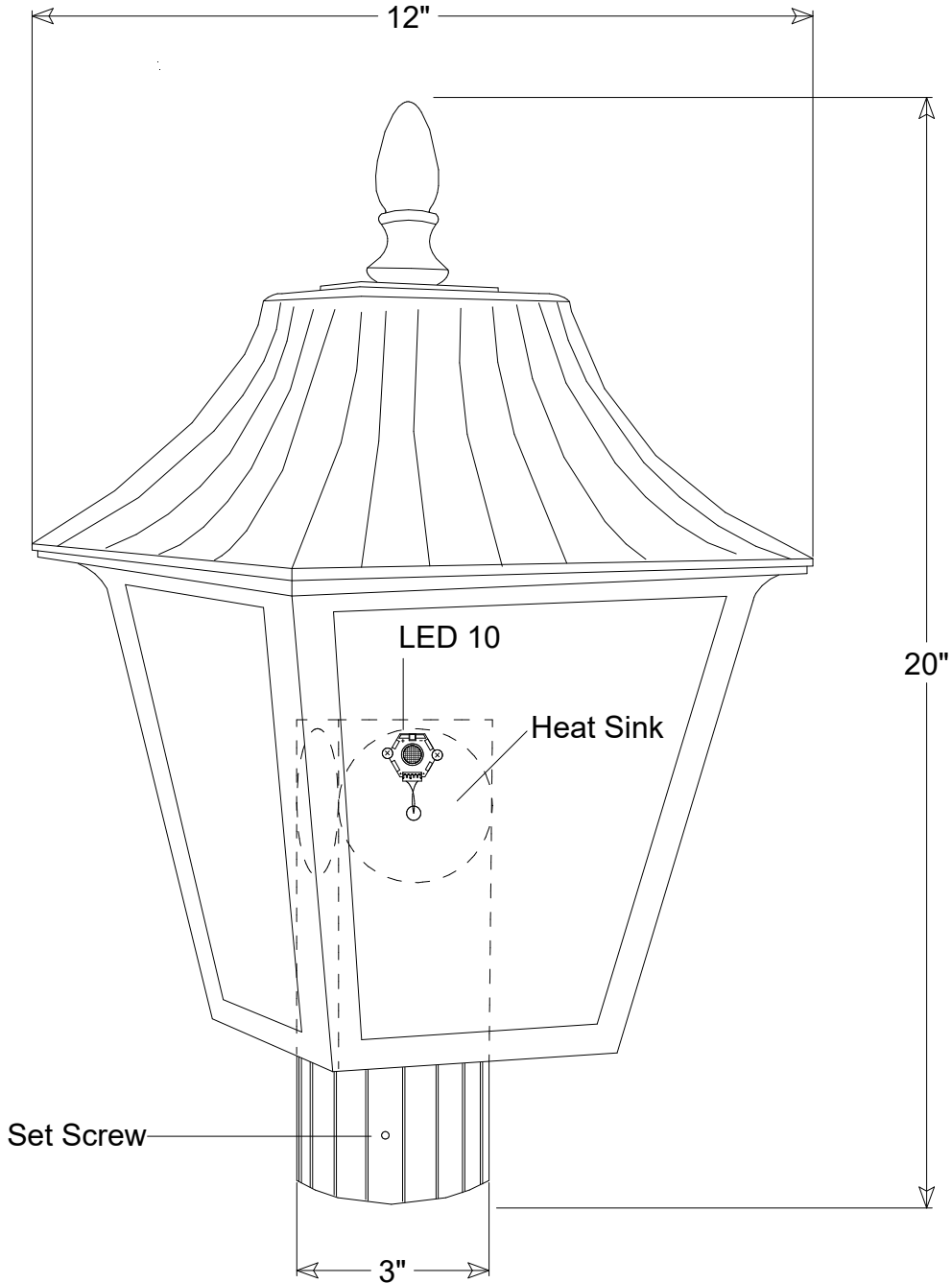


Primelite Manufacturing Corp

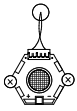
407 S Main St, Freeport, NY 11520

Phone: 516-868-4411 | Fax: 516-868-4609
 sales@primelite-mfg.com | www.primelite-mfg.com

PART # #1322-3	LAMP Incandescent LED	VOLTAGE 120 V	COLOR Powder Coated Paint
JOB NAME			TYPE Post Light



Lamp: Incandescent | LED



LED 40 (LED 10 X4)

Name Date

Drawn	CB	6/19
Checked		
ENG Appr.		
MFR Appr.		
QA		
Weight		

Post Light #1322-3 LED 40

20" H | 12" W | Fits 3" Post
 3K=4560 LM | 4K=4800 LM

Size	Drawing No.	Rev
A	0001	A

Construction: Aluminum

Unless Otherwise Specified:
 Dimensions in Inches

Scale	CAD File	Sheet
		1 of 1

Revisions				
Zone	Rev	Description	Date	Approved