

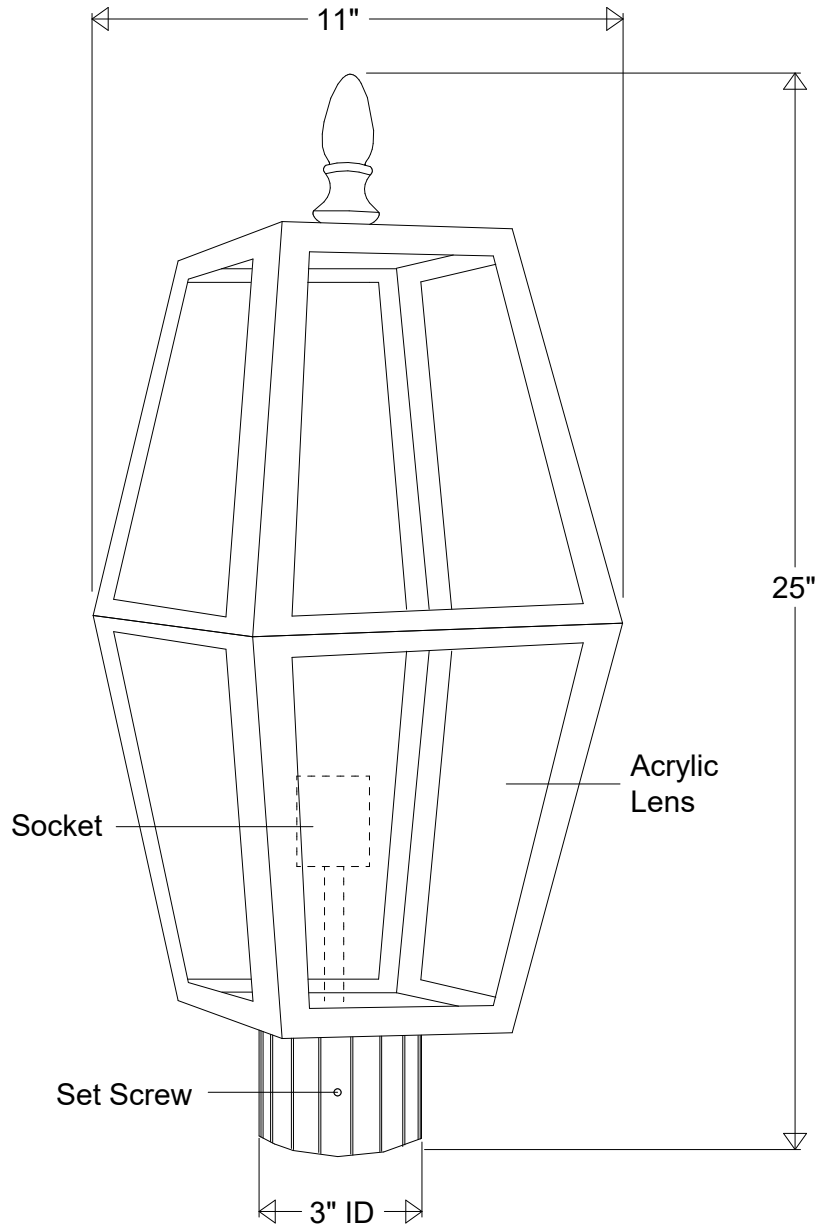



Primelite Manufacturing Corp

407 S Main St, Freeport, NY 11520

Phone: 516-868-4411 | Fax: 516-868-4609
 sales@primelite-mfg.com | www.primelite-mfg.com

PART # #1321	LAMP Incandescent	VOLTAGE 120 V	COLOR Powder Coated Paint
JOB NAME			TYPE Post Light



Lamp: Incandescent Max Wattage: 1/300A 	Name		Date		Post Light #1321 11" W 25" H Acrylic Lens Smoke White Clear Frosted						
	Drawn	CB	1/2020								
	Checked										
	ENG Appr.				Size	Drawing No.	Rev	Revisions			
	MFR Appr.				A	0001	A	Zone	Rev	Description	Date
Construction: Aluminum Acrylic Unless Otherwise Specified: Dimensions in Inches	QA				Scale	CAD File	Sheet				
	Weight						1 of 1				