

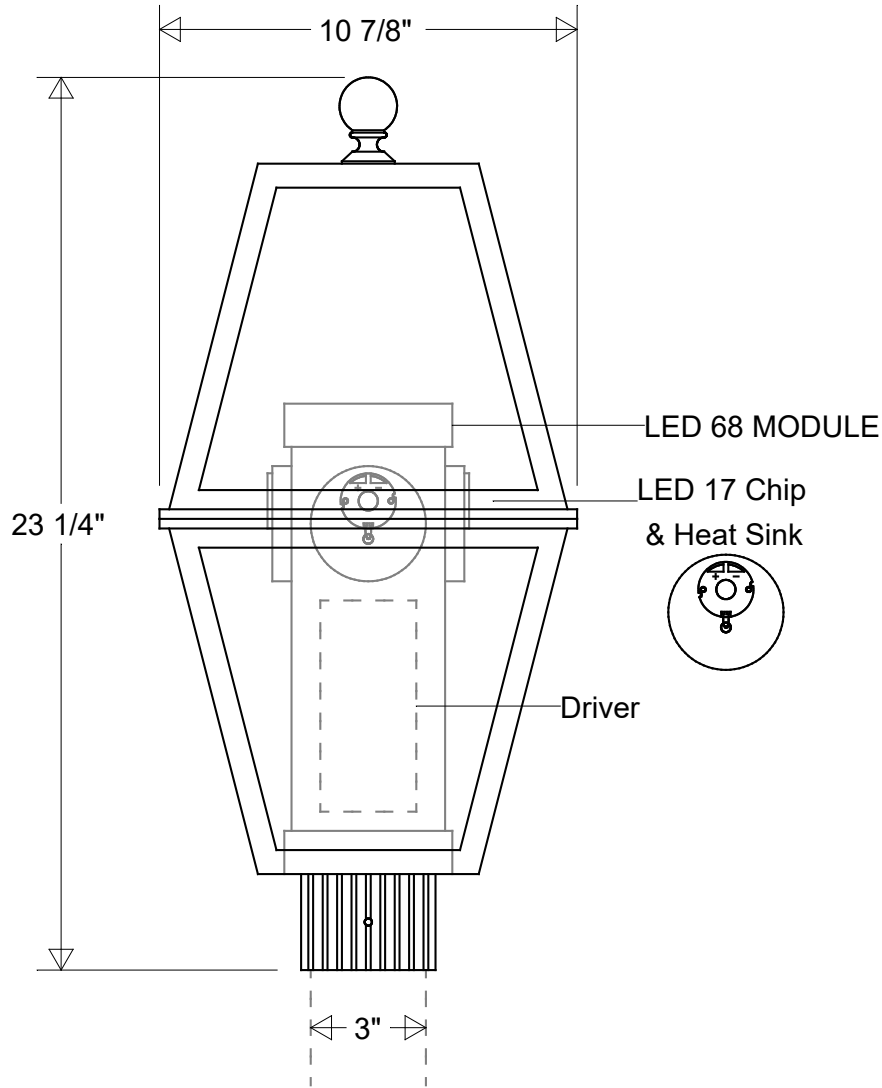



Primelite Manufacturing Corp

407 S Main St, Freeport, NY 11520

Phone: 516-868-4411 | Fax: 516-868-4609
 sales@primelite-mfg.com | www.primelite-mfg.com

PART # #1321 LED 68	LAMP Built-In LED	VOLTAGE 120 V	COLOR Powder Coated Paint
JOB NAME			TYPE Post Light



Lamp: LED 68 Module 175 W MH Equivalent 3K = 7712 Lumens 4K = 8552 Lumens 	Initials	Date	<h2>Post Light #1321 LED 68</h2>					
	Drawn	CB						08/2022
	Checked			10 7/8" W 23 1/4" H Fits 3" OD Round Posts & Piers Acrylic Lens: Smoke (-1) White (-3) Clear (-4) Frosted (-5)				
Construction: Aluminum Acrylic	ENG Appr.			Revisions				
	MFR Appr.			Zone	Rev	Description	Date	Appr
	QA							
Unless Otherwise Specified: Dimensions in Inches	Weight:		Scale	CAD File	Sheet	1 of 1		