

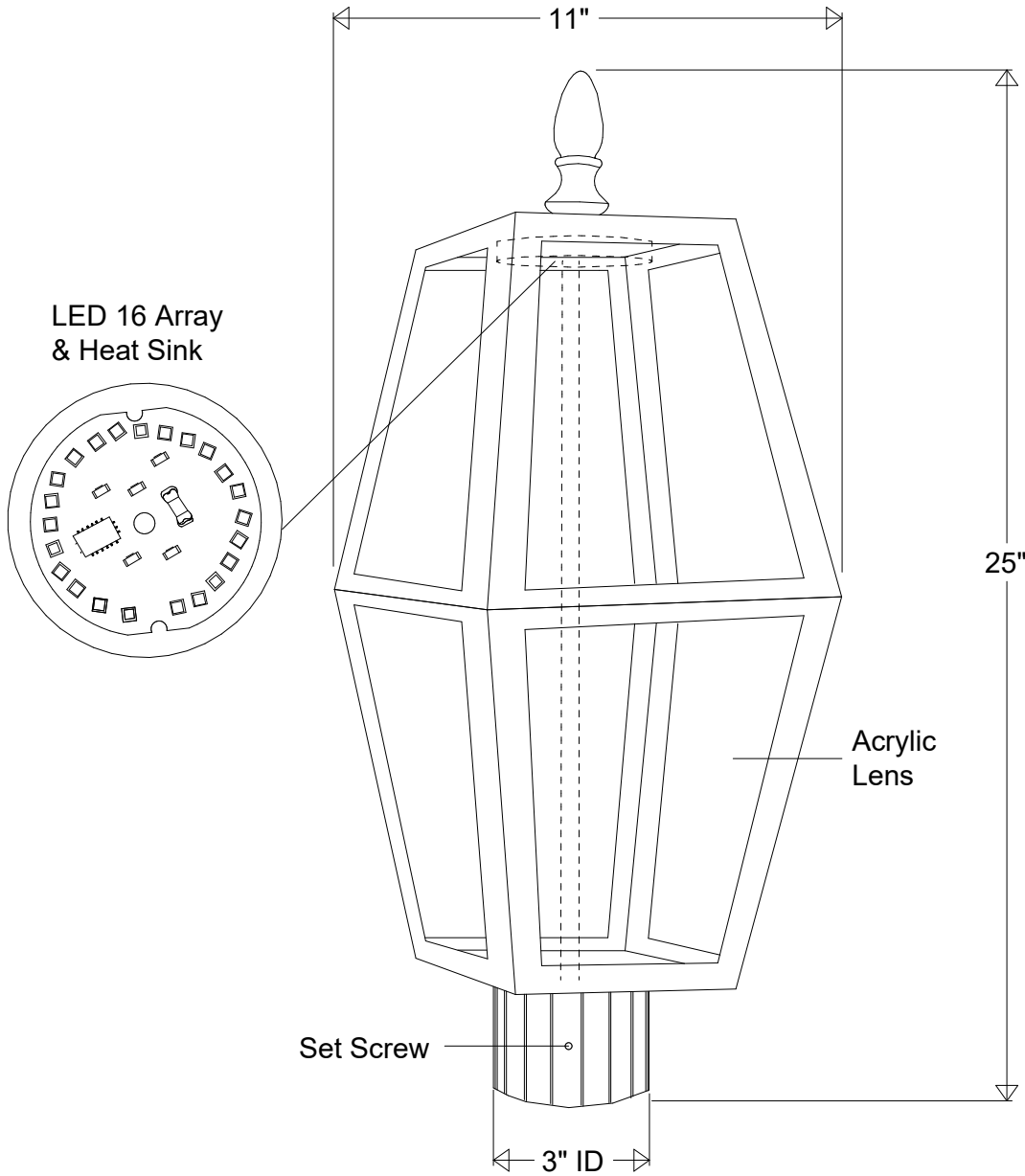



# Primelite Manufacturing Corp

407 S Main St, Freeport, NY 11520

Phone: 516-868-4411 | Fax: 516-868-4609  
 sales@primelite-mfg.com | www.primelite-mfg.com

PART # #1321	LAMP Built-In LED	VOLTAGE 120 V	COLOR Powder Coated Paint
JOB NAME			TYPE Post Light



<b>Lamp: LED 16 Array</b> 1000 Lumens   75 W Inc Equivalent 	<b>Name</b> <b>Date</b>			<b>Post Light #1321 LED 16</b> 11" W   25" H   Acrylic Lens Smoke   White   Clear   Frosted					
	Drawn	CB	1/2020						
	Checked								
	<b>Construction: Aluminum   Acrylic</b> <b>Unless Otherwise Specified:</b> Dimensions in Inches	ENG Appr.  MFR Appr.  QA			Size <b>A</b>	Drawing No. <b>0001</b>	Rev <b>A</b>	<b>Revisions</b>	
Weight	Scale	CAD File	Sheet <b>1 of 1</b>	<b>Zone</b>	<b>Rev</b>	<b>Description</b>	<b>Date</b>	<b>Approved</b>	