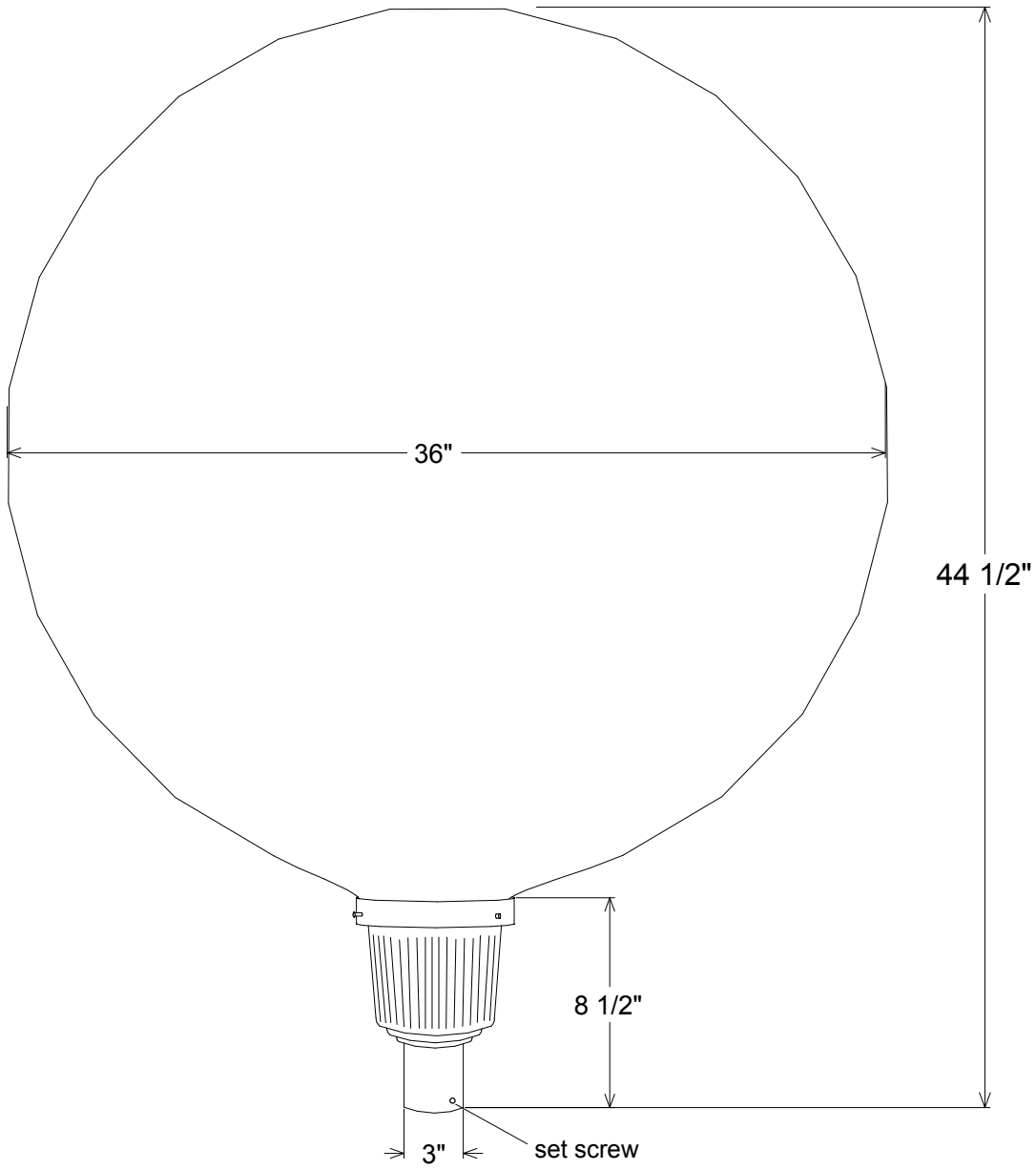


Revisions				
Zone	Rev	Description	Date	Approved



Unless Otherwise Specified:

Dimensions in Inches
 Tolerances: Fractional ±
 Angular: Mach ± Bend ±
 Two Place Decimal ±
 Three Place Decimal ±

Construction: All Aluminum

Lamp: 1-300A

Name	Date
Drawn T.A.R.	08/17/10
Checked	
ENG Appr.	
MFR Appr.	
QA	

Comments
 CAD Generated Drawing
 Do Not Manually Update

Primelite Mfg. Corp.

1306B
36" Acrylic Post Light
with Ballast Pot

Size A	Drawing No. 0001	Rev A
Scale 1:7	CAD File	Sheet 1 of 1