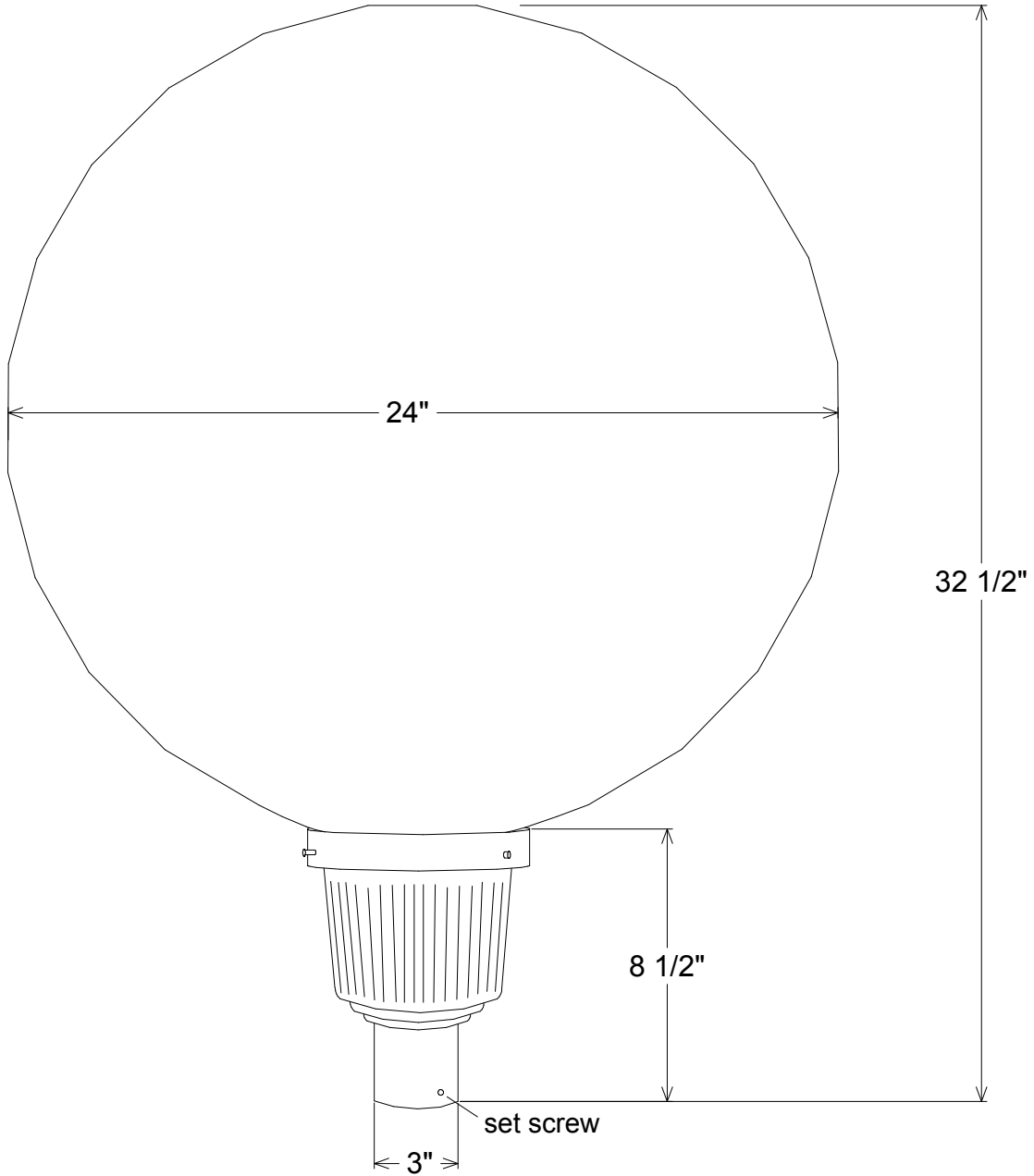


Revisions				
Zone	Rev	Description	Date	Approved



<b>Unless Otherwise Specified:</b> Dimensions in Inches Tolerances: Fractional ± Angular: Mach ± Bend ± Two Place Decimal ± Three Place Decimal ±		Name	Date	<b>Primelite Mfg. Corp.</b>		
	Drawn	T.A.R.	08/17/10			
	Checked			<b>24" Acrylic Post Light with Ballast Pot</b>		
	ENG Appr.					
	MFR Appr.			<b>A</b>	<b>0001</b>	<b>A</b>
	QA			Scale	CAD File	Sheet
<b>Construction: All Aluminum</b>  <b>Lamp: 1-300A</b>	<b>Comments</b> CAD Generated Drawing Do Not Manually Update			<b>1:5</b>		<b>1 of 1</b>