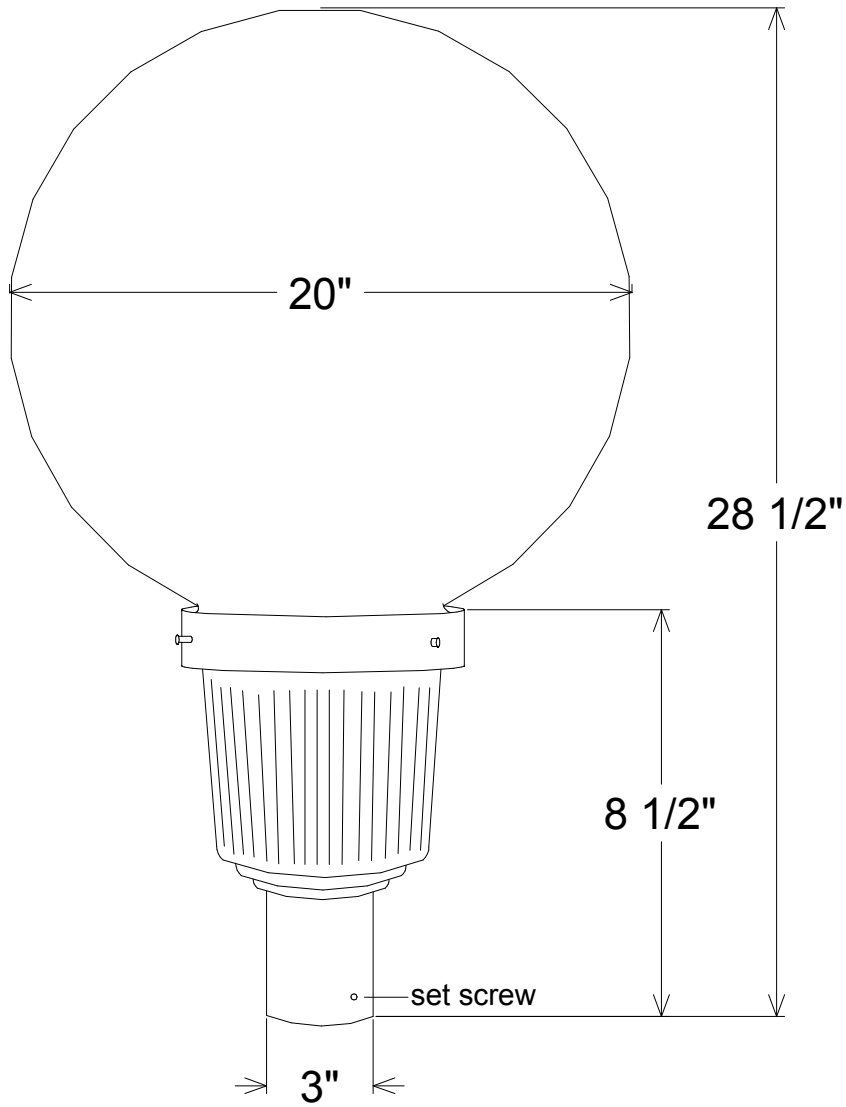


Revisions				
Zone	Rev	Description	Date	Approved



<b>Unless Otherwise Specified:</b> Dimensions in Inches Tolerances: Fractional ± Angular: Mach ± Bend ± Two Place Decimal ± Three Place Decimal ±		Name	Date	<b>Primelite Mfg. Corp.</b>  <b>1290-3B 150HPS</b>  <b>20" White Acrylic Post Light</b>		
	Drawn	T.A.R.	12/09/09			
	Checked					
	ENG Appr.					
	MFR Appr.					
		QA				
	Comments			Size	Drawing No.	Rev
Construction: All Aluminum	CAD Generated Drawing Do Not Manually Update			A	0001	A
Lamp: 150 HPS				Scale	CAD File	Sheet
				1:4		1 of 1