



# Primelite Manufacturing Corp

407 S Main St, Freeport, NY 11520

Phone: 516-868-4411 | Fax: 516-868-4609  
 sales@primelite-mfg.com | www.primelite-mfg.com

PART #

#1280 CA5

LAMP

Incandescent

VOLTAGE

120 V

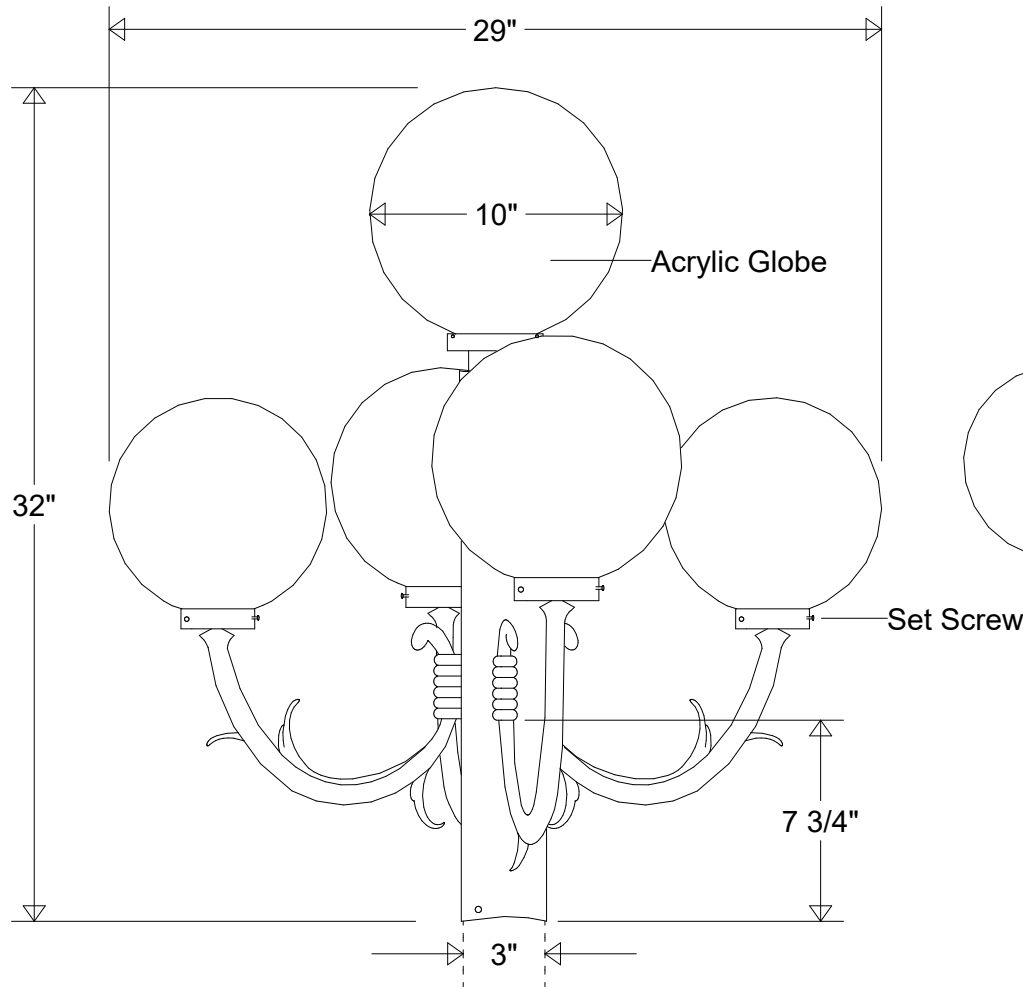
COLOR

Powder Coated Paint

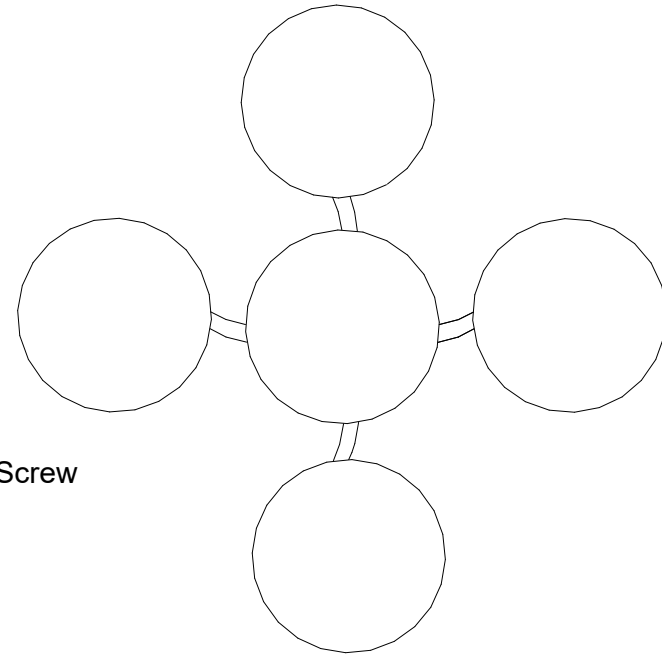
JOB NAME

TYPE

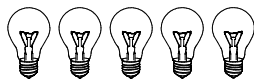
Post Light



TOP VIEW



Lamp: Incandescent  
 Max Wattage: 5/100A



Construction: Aluminum | Acrylic

Unless Otherwise Specified:  
 Dimensions in Inches

	Name	Date
Drawn	CB	8/2020
Checked		
ENG Appr.		
MFR Appr.		
QA		
Weight		

## Post Light #1280 CA5

29" W | 32" H | 10" Globes  
 Acrylic: Smoke | White | Clear

Size	Drawing No.	Rev
<b>A</b>	<b>0001</b>	<b>A</b>

Scale	CAD File	Sheet
		<b>1 of 1</b>

Revisions				
Zone	Rev	Description	Date	Approved