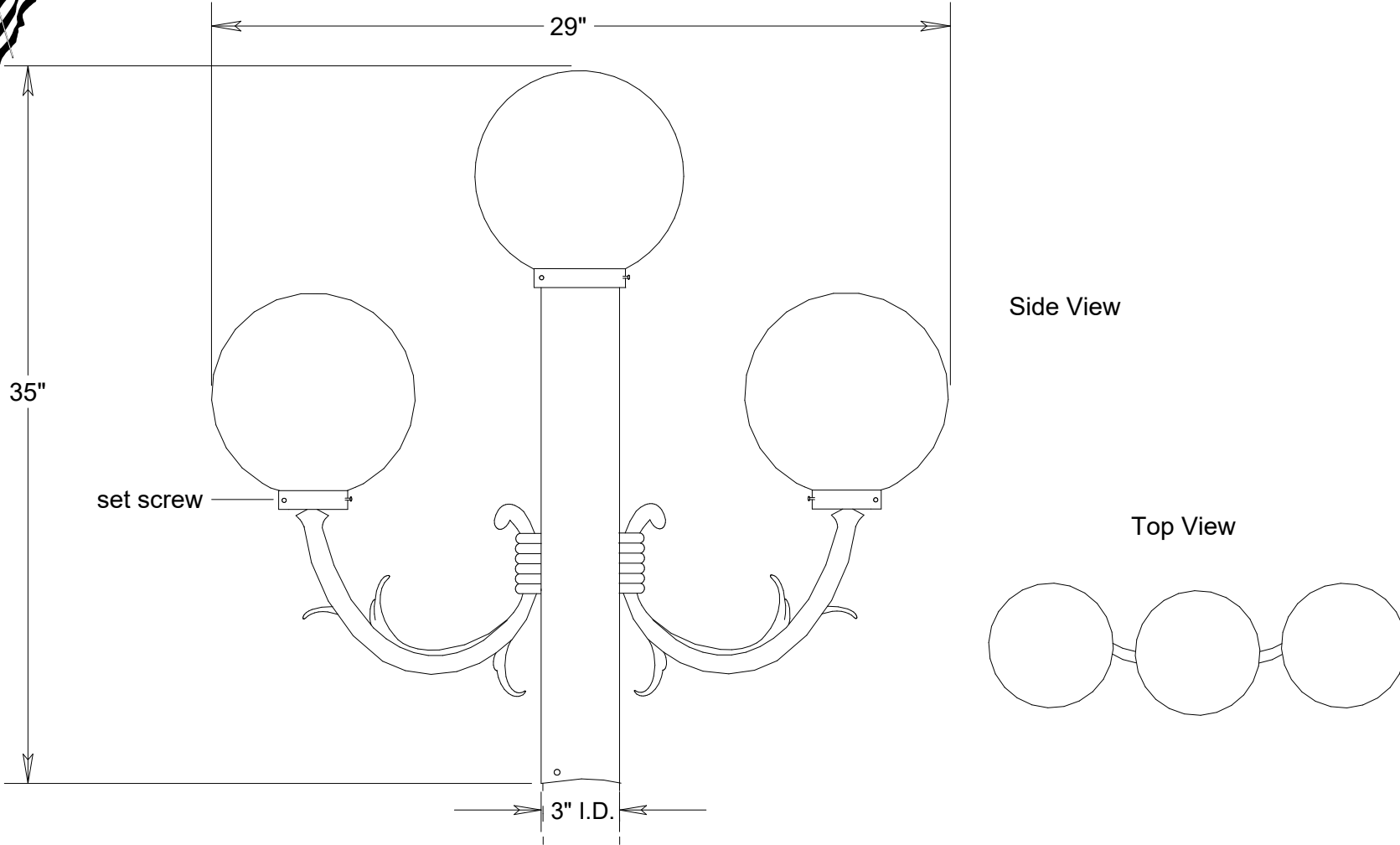





Primelite Manufacturing Corp

407 S Main St, Freeport, NY 11520
 Phone: 516-868-4411 | Fax: 516-868-4609
 sales@primelite-mfg.com | www.primelite-mfg.com

PART # #1280-3 CA3	LAMP Incandescent LED	VOLTAGE 120 V	COLOR Powder Coated Paint
JOB NAME			TYPE Post Light



Lamp: Incandescent LED  3/100A	Name	Date	Post Light #1280-3 CA3			
	Drawn	CB				6/19
	Checked			35" Ht 29" W For 3" Post 10" Dia White Acrylic Globe		
	ENG Appr.					
	MFR Appr.			Size	Drawing No.	Rev
QA			A	0001	A	
Construction: Aluminum	Weight		Scale	CAD File	Sheet	
Unless Otherwise Specified: Dimensions in Inches					1 of 1	

Revisions				
Zone	Rev	Description	Date	Approved