

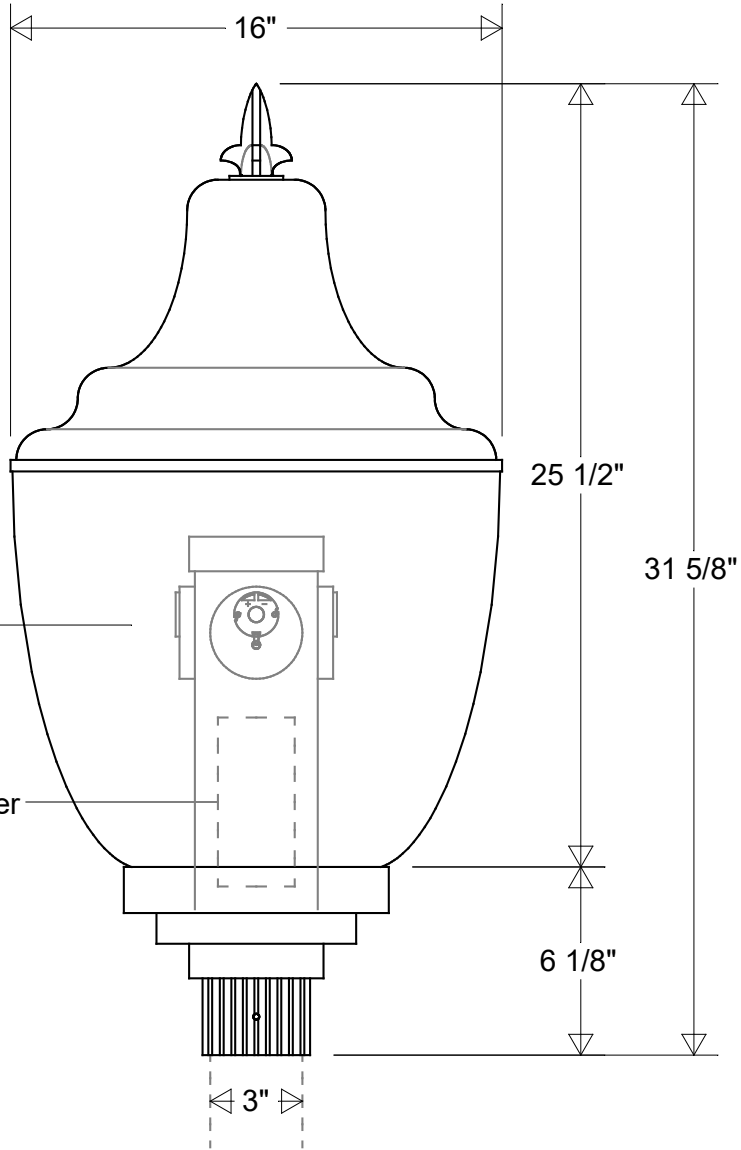


Primelite Manufacturing Corp

407 S Main St, Freeport, NY 11520

Phone: 516-868-4411 | Fax: 516-868-4609
 sales@primelite-mfg.com | www.primelite-mfg.com

PART # #1235 LED 68	LAMP Built-In LED	VOLTAGE 120 V	COLOR Powder Coated Paint
JOB NAME			TYPE Post Light



Lamp: LED 68 Module

175 W MH Equivalent
 3K = 7712 Lumens
 4K = 8552 Lumens



	Initials	Date
Drawn	CB	12/2022
Checked		
ENG Appr.		
MFR Appr.		
QA		

Post Light #1235 LED 68

16" Dia | 31 5/8" H
 Fits 3" OD Round Posts & Pier Mounts

Revisions

Zone	Rev	Description	Date	Appr

Construction:
 Aluminum | Acrylic

Size	Drawing No.	Rev
A	0001	A

Dimensions are nominal.

Weight:	Scale	CAD File	Sheet
			1 of 1