

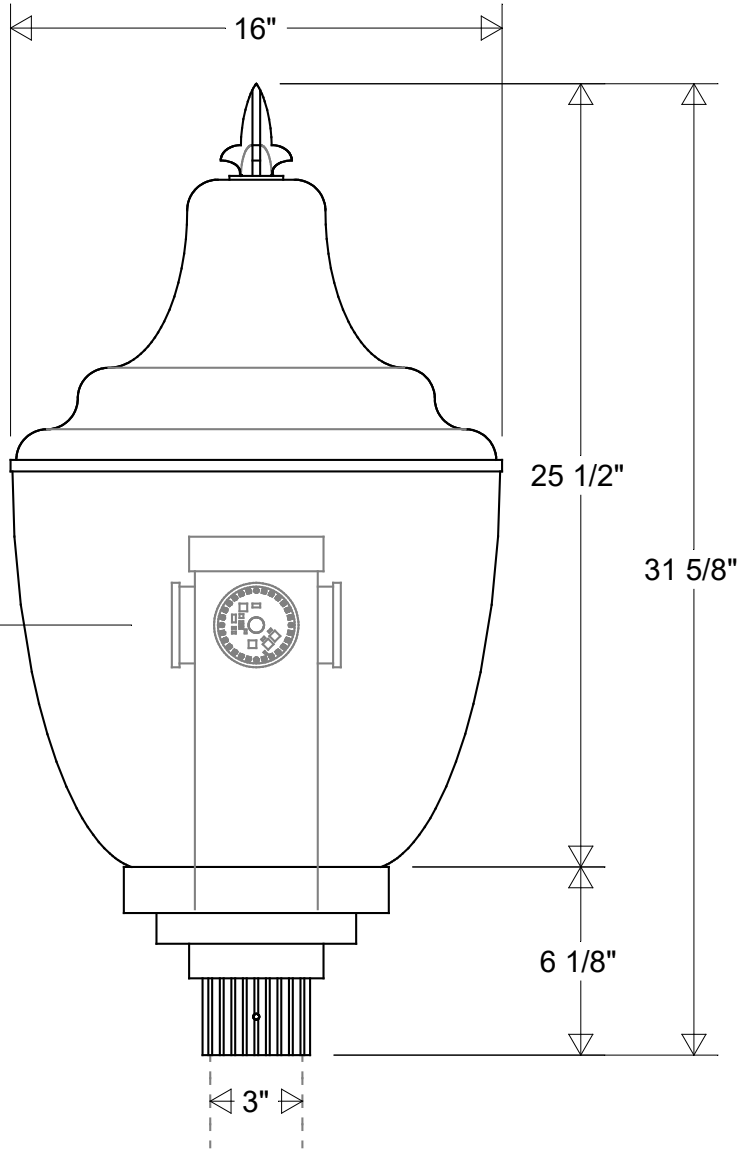


Primelite Manufacturing Corp

407 S Main St, Freeport, NY 11520

Phone: 516-868-4411 | Fax: 516-868-4609
 sales@primelite-mfg.com | www.primelite-mfg.com

PART # #1235 LED 48	LAMP Built-In LED	VOLTAGE 120 V	COLOR Powder Coated Paint
JOB NAME			TYPE Post Light



LED 48 MODULE



LED 12 Array
& Heat Sink

Lamp: LED 48 Module
 50 W MH Equivalent
 3K = 4560 Lumens
 4K = 5120 Lumens



	Initials	Date
Drawn	CB	12/2022
Checked		
ENG Appr.		
MFR Appr.		
QA		

Post Light #1235 LED 48

16" Dia | 31 5/8" H
 Fits 3" OD Round Posts & Pier Mounts

Size	Drawing No.	Rev
A	0001	A

Revisions				
Zone	Rev	Description	Date	Appr

Construction:
 Aluminum | Acrylic

Weight:

Scale

CAD File

Sheet

1 of 1

Dimensions are nominal.