

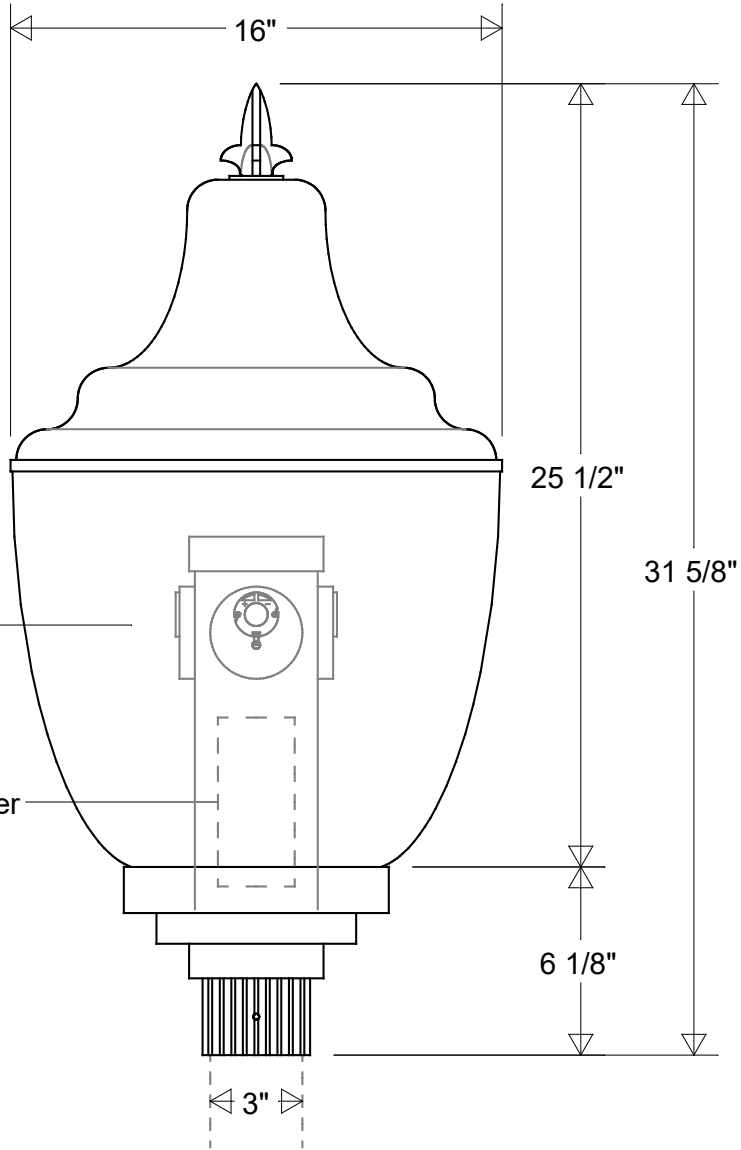


Primelite Manufacturing Corp

407 S Main St, Freeport, NY 11520

Phone: 516-868-4411 | Fax: 516-868-4609
 sales@primelite-mfg.com | www.primelite-mfg.com

| | | | |
|--------------------------------|-----------------------------|-------------------------|-------------------------------------|
| PART # #1235 LED 124 | LAMP Built-In LED | VOLTAGE 120 V | COLOR Powder Coated Paint |
| JOB NAME | | | TYPE Post Light |



LED 124 MODULE



LED 31 Chip
& Heat Sink

Driver

Lamp: LED 124 Module

400 W MH Equivalent
 3K = 15,128 Lumens
 4K = 15,996 Lumens



| | | |
|------------------|-----------------|-------------|
| | Initials | Date |
| Drawn | CB | 12/2022 |
| Checked | | |
| ENG Appr. | | |
| MFR Appr. | | |
| QA | | |

Post Light #1235 LED 124

16" Dia | 31 5/8" H
 Fits 3" OD Round Posts & Pier Mounts

| | | |
|-------------|--------------------|------------|
| Size | Drawing No. | Rev |
| A | 0001 | A |

| Revisions | | | | |
|-----------|-----|-------------|------|------|
| Zone | Rev | Description | Date | Appr |
| | | | | |
| | | | | |
| | | | | |

Construction:
 Aluminum | Acrylic

Weight:

Scale

CAD File

Sheet

1 of 1

Dimensions are nominal.