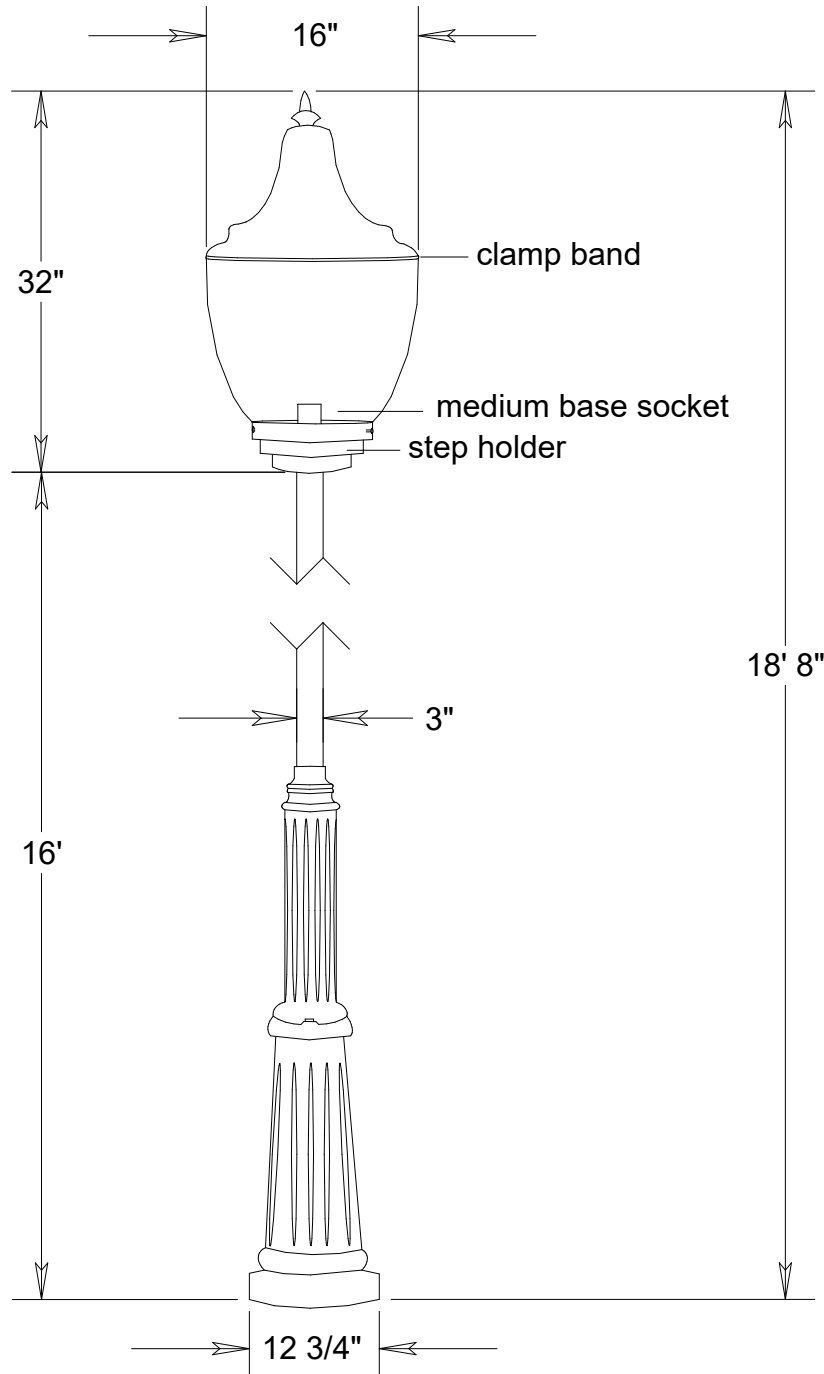




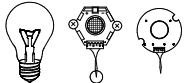
Primelite Manufacturing Corp

407 S Main St, Freeport, NY 11520
 Phone: 516-868-4411 | Fax: 516-868-4609
 sales@primelite-mfg.com | www.primelite-mfg.com

PART #	LAMP	VOLTAGE	COLOR
#1235/8846	Incandescent LED	120 V	Powder Coated Paint
JOB NAME			TYPE
			Post Light



Lamp: Incandescent | LED



1/300A | LED 40 | LED 72

Construction: Aluminum

Unless Otherwise Specified:
 Dimensions in Inches

Name Date

Drawn CB 5/19

Checked

ENG Appr.

MFR Appr.

QA

Weight

Post Light #1235/8846

Ht 18' 8" | Dia 16" | Base Dia 12 3/4"

Size

A

Drawing No.

0001

Rev

A

Scale

CAD File

Sheet

1 of 1

Revisions				
Zone	Rev	Description	Date	Approved