

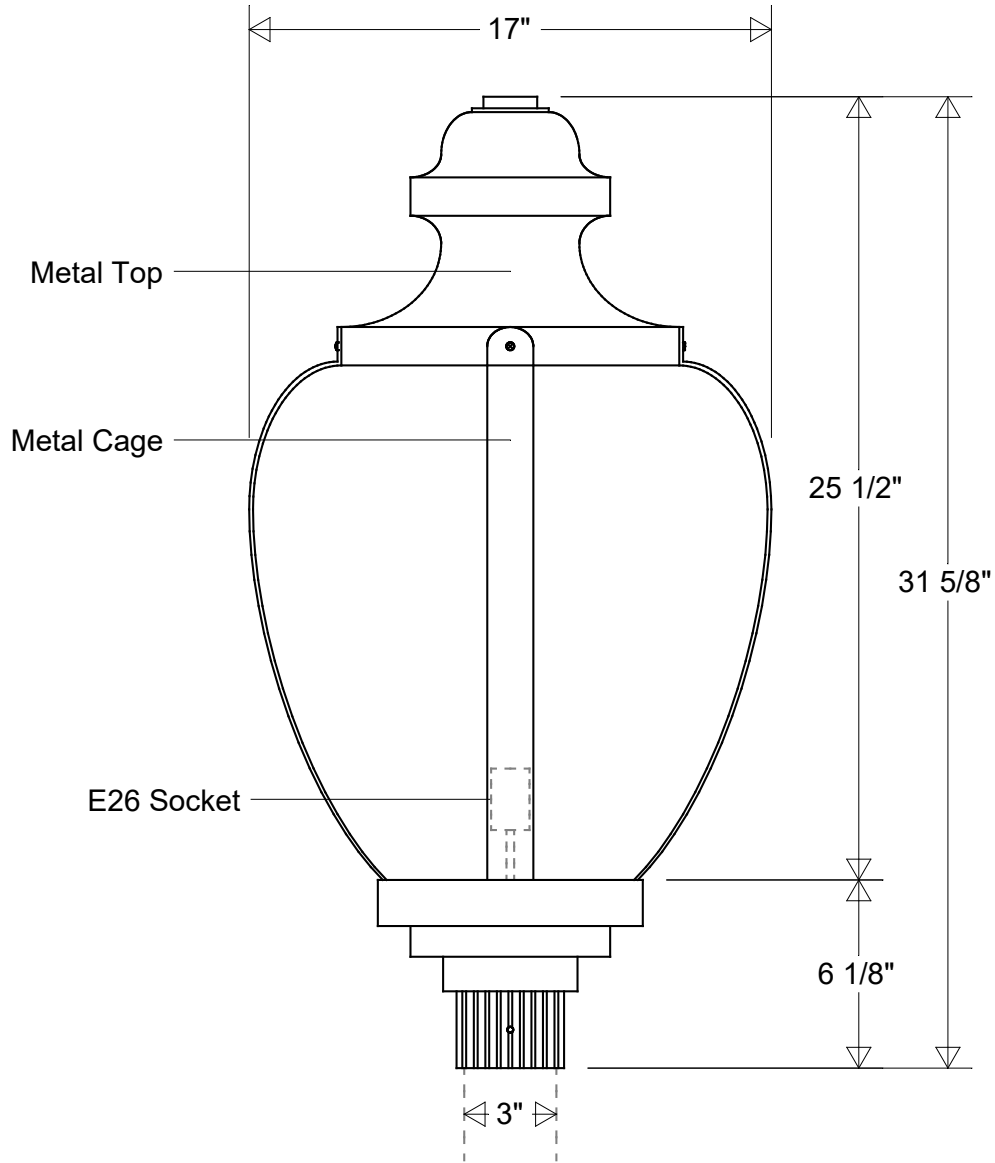



Primelite Manufacturing Corp

407 S Main St, Freeport, NY 11520

Phone: 516-868-4411 | Fax: 516-868-4609
 sales@primelite-mfg.com | www.primelite-mfg.com

PART # #1230 X	LAMP E26 Socket	VOLTAGE 120 V	COLOR Powder Coated Paint
JOB NAME			TYPE Post Light



Lamp: E26 Socket Max Wattage: 300 W 	Initials	Date	<h2>#1230 X</h2> <p>17" Dia 31 5/8" H</p> <p>Fits 3" OD Round Posts & Pier Mounts</p>					Revisions				
	Drawn	CB						02/2023	Zone	Rev	Description	Date
	Checked			Size	Drawing No.	Rev						
Construction: Aluminum Polycarbonate	ENG Appr.		A	0001	A							
Unless Otherwise Specified: Dimensions in Inches	Weight:		Scale	CAD File	Sheet	1 of 1						

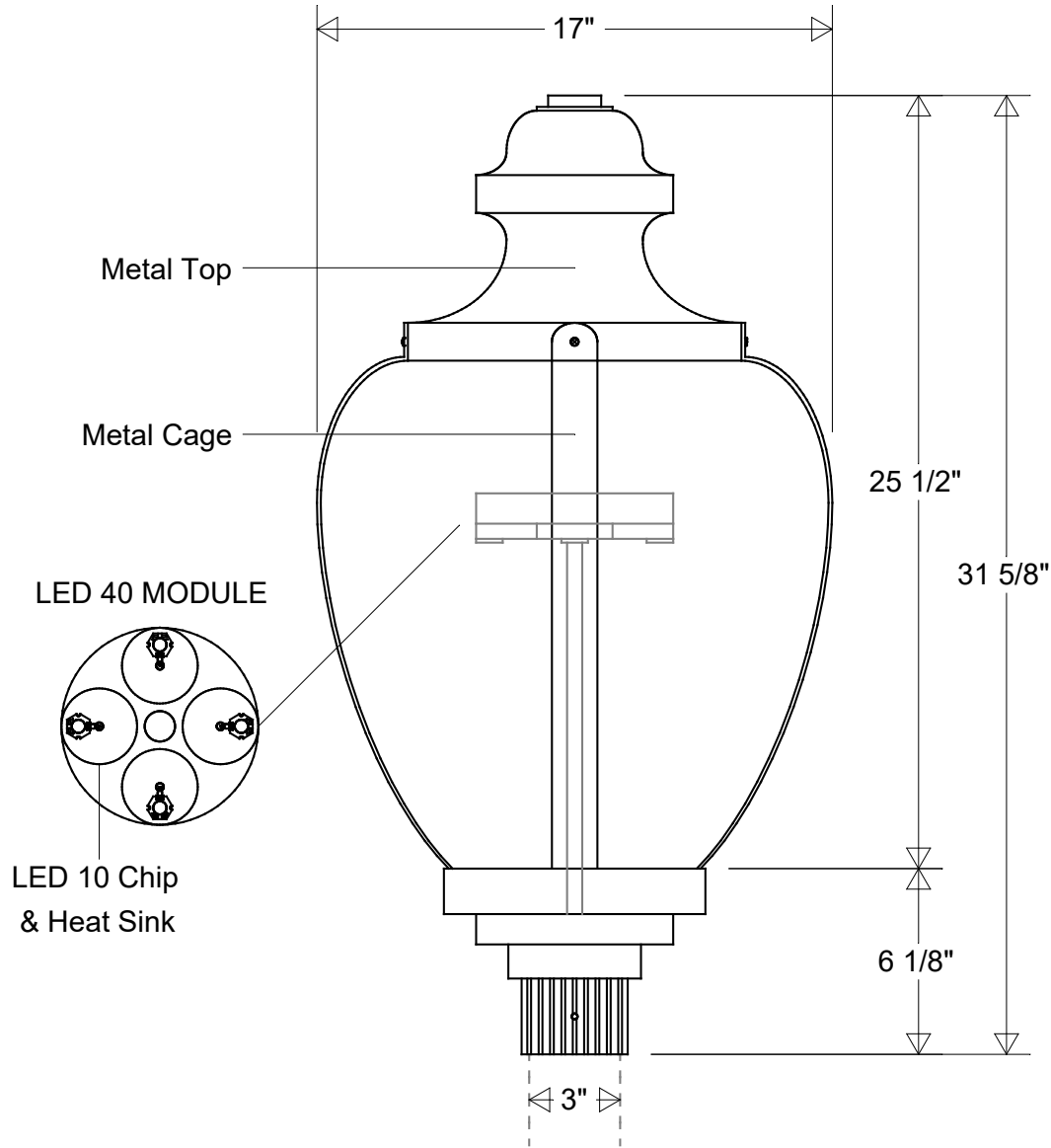



Primelite Manufacturing Corp

407 S Main St, Freeport, NY 11520

Phone: 516-868-4411 | Fax: 516-868-4609
 sales@primelite-mfg.com | www.primelite-mfg.com

PART # #1230 X LED 40	LAMP Built-In LED	VOLTAGE 120 V	COLOR Powder Coated Paint
JOB NAME			TYPE Post Light



Lamp: LED 40 Module 150 W MH Equivalent 3K = 6564 Lumens 4K = 5100 Lumens 	Initials	Date	<h2>#1230 X LED 40</h2>							
	Drawn	CB						02/2023		
	Checked			17" Dia 31 5/8" H Fits 3" OD Round Posts & Pier Mounts		Revisions				
Construction: Aluminum Polycarbonate	ENG Appr.		Size	Drawing No.	Rev	Zone	Rev	Description	Date	Appr
	MFR Appr.		A	0001	A					
Unless Otherwise Specified: Dimensions in Inches	Weight:		Scale	CAD File	Sheet					
					1 of 1					

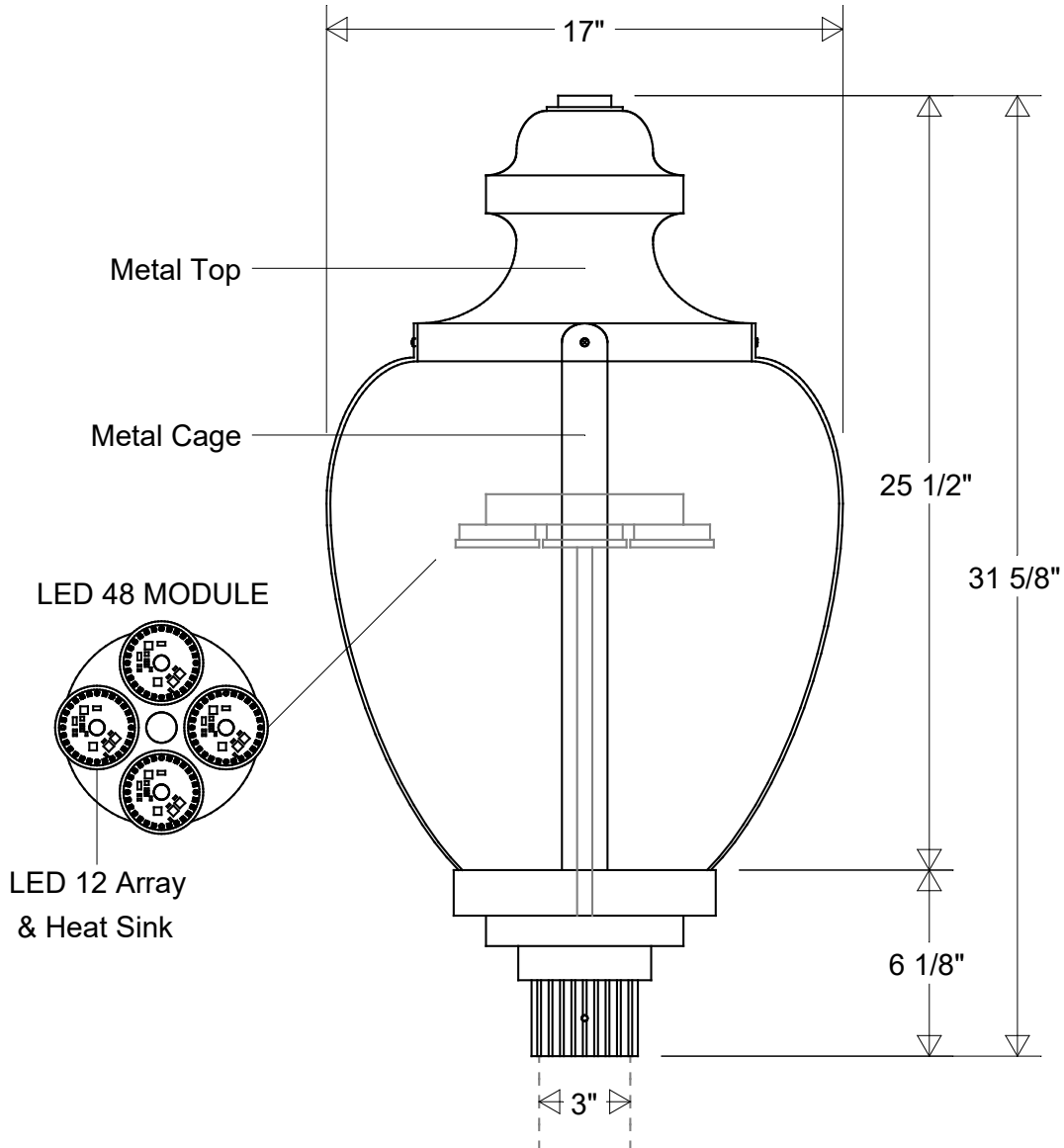



Primelite Manufacturing Corp

407 S Main St, Freeport, NY 11520

Phone: 516-868-4411 | Fax: 516-868-4609
 sales@primelite-mfg.com | www.primelite-mfg.com

PART # #1230 X LED 48	LAMP Built-In LED	VOLTAGE 120 V	COLOR Powder Coated Paint
JOB NAME			TYPE Post Light



Lamp: LED 48 Module 100 W MH Equivalent 3K = 4560 Lumens 4K = 5120 Lumens 	Initials	Date	<h2>#1230 X LED 48</h2> <p>17" Dia 31 5/8" H</p> <p>Fits 3" OD Round Posts & Pier Mounts</p>					Revisions				
	Drawn	CB						02/2023	Zone	Rev	Description	Date
	Checked			Size	Drawing No.	Rev						
Construction: Aluminum Polycarbonate	ENG Appr.		A	0001	A							
Unless Otherwise Specified: Dimensions in Inches	Weight:		Scale	CAD File	Sheet							
					1 of 1							

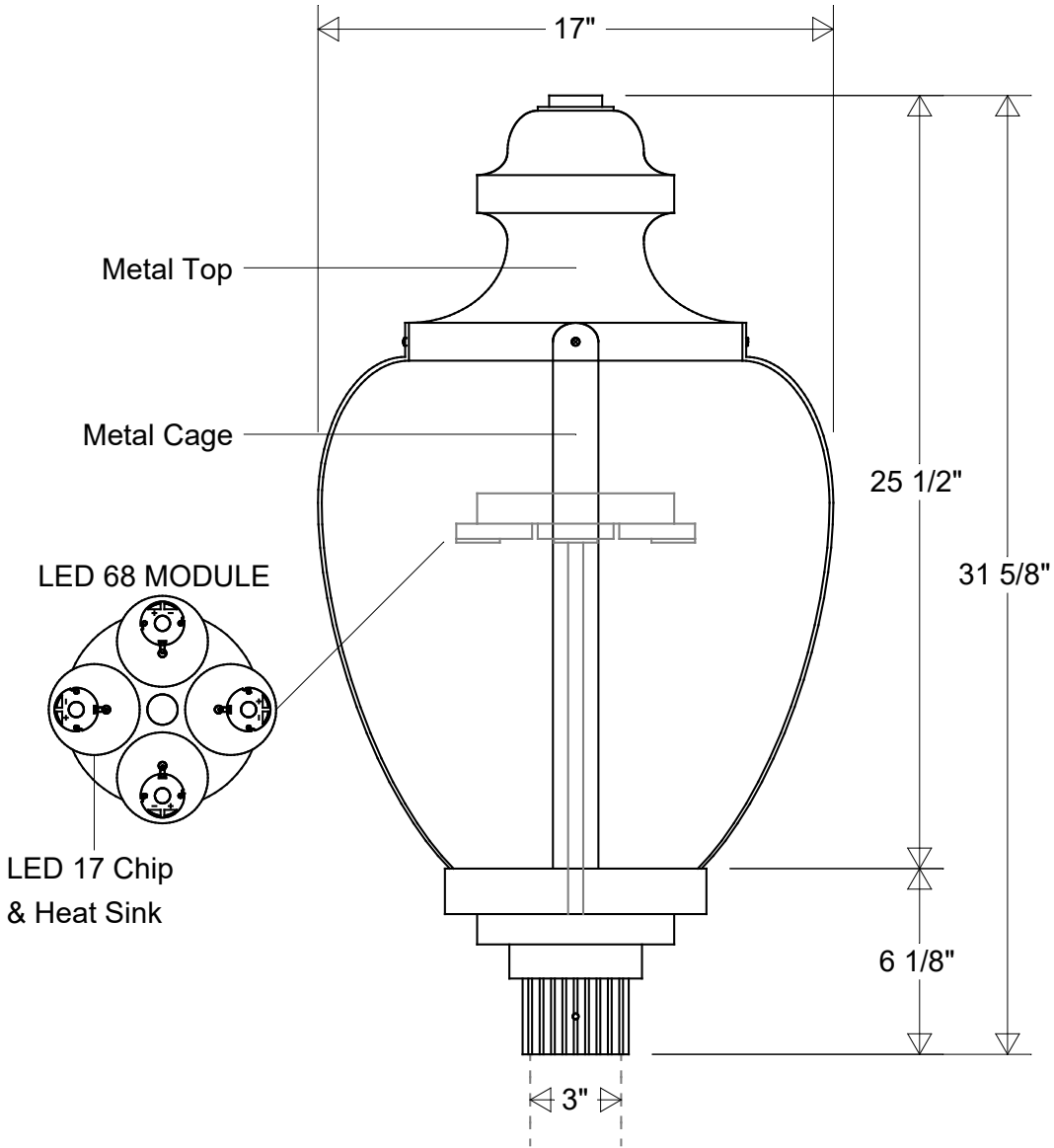



Primelite Manufacturing Corp

407 S Main St, Freeport, NY 11520

Phone: 516-868-4411 | Fax: 516-868-4609
 sales@primelite-mfg.com | www.primelite-mfg.com

PART # #1230 X LED 68	LAMP Built-In LED	VOLTAGE 120 V	COLOR Powder Coated Paint
JOB NAME			TYPE Post Light



Lamp: LED 68 Module 175 W MH Equivalent 3K = 11920 Lumens 4K = 12272 Lumens 	Initials	Date	#1230 X LED 68		Revisions <table border="1"> <thead> <tr> <th>Zone</th> <th>Rev</th> <th>Description</th> <th>Date</th> <th>Appr</th> </tr> </thead> <tbody> <tr><td> </td><td> </td><td> </td><td> </td><td> </td></tr> <tr><td> </td><td> </td><td> </td><td> </td><td> </td></tr> <tr><td> </td><td> </td><td> </td><td> </td><td> </td></tr> <tr><td> </td><td> </td><td> </td><td> </td><td> </td></tr> </tbody> </table>					Zone	Rev	Description	Date	Appr																				
	Zone	Rev								Description	Date	Appr																						
Drawn	CB	02/2023	17" Dia 31 5/8" H																															
Checked			Fits 3" OD Round Posts & Pier Mounts																															
ENG Appr.			Size	Drawing No.	Rev																													
Construction: Aluminum Polycarbonate	MFR Appr.		A	0001	A																													
Unless Otherwise Specified: Dimensions in Inches	Weight:		Scale	CAD File	Sheet																													
						1 of 1																												

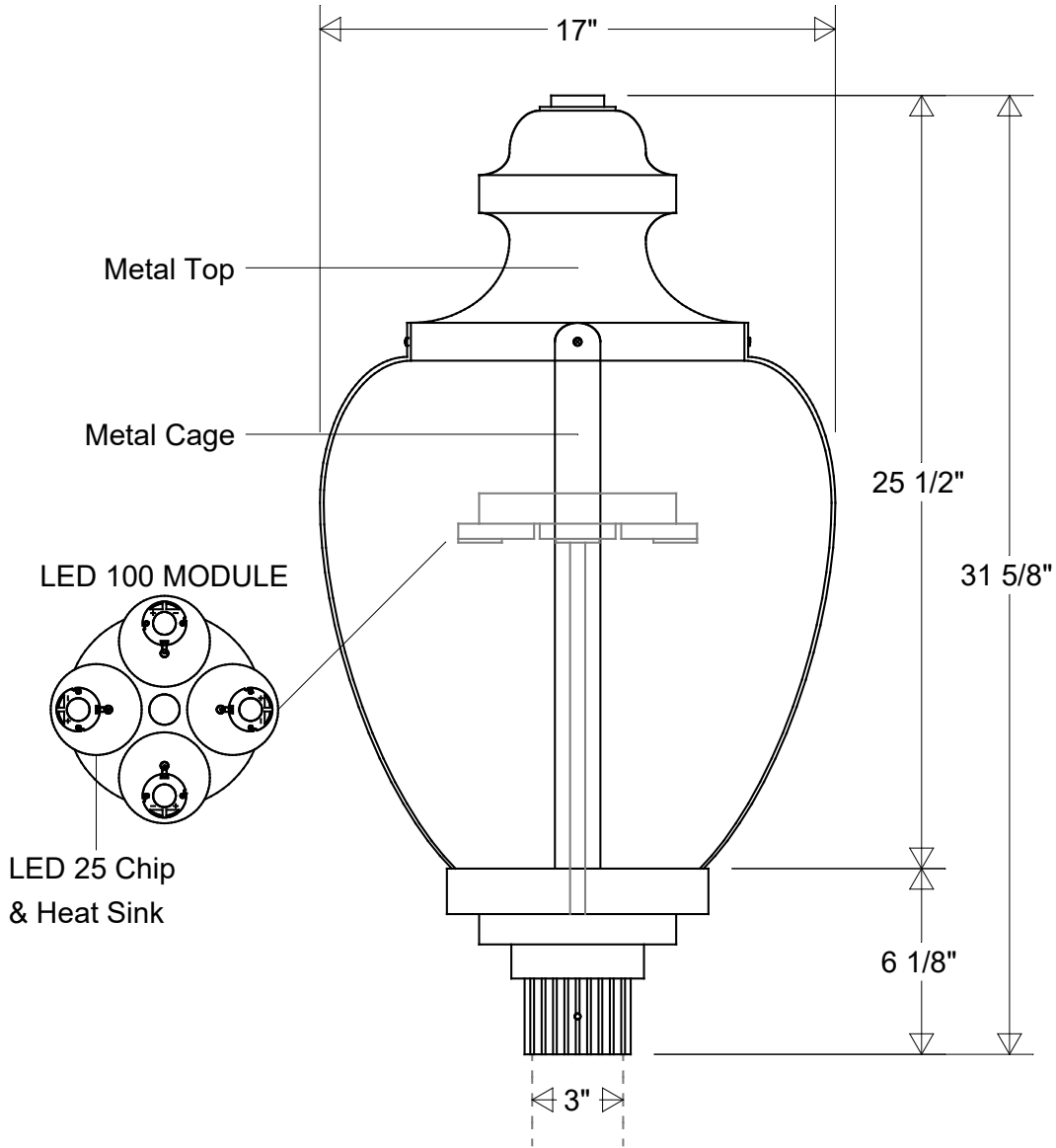


Primelite Manufacturing Corp

407 S Main St, Freeport, NY 11520

Phone: 516-868-4411 | Fax: 516-868-4609
 sales@primelite-mfg.com | www.primelite-mfg.com

PART # #1230 X LED 100	LAMP Built-In LED	VOLTAGE 120 V	COLOR Powder Coated Paint
JOB NAME			TYPE Post Light



Lamp: LED 100 Module

250 W MH Equivalent
 3K = 15,308 Lumens
 4K = 15,756 Lumens



	Initials	Date
Drawn	CB	02/2023
Checked		
ENG Appr.		
MFR Appr.		
QA		

#1230 X LED 100

17" Dia | 31 5/8" H
 Fits 3" OD Round Posts & Pier Mounts

Revisions

Zone	Rev	Description	Date	Appr

Construction:
 Aluminum | Polycarbonate

Weight:	
----------------	--

Size	Drawing No.	Rev
A	0001	A

Unless Otherwise Specified:
 Dimensions in Inches

Scale	CAD File	Sheet
		1 of 1

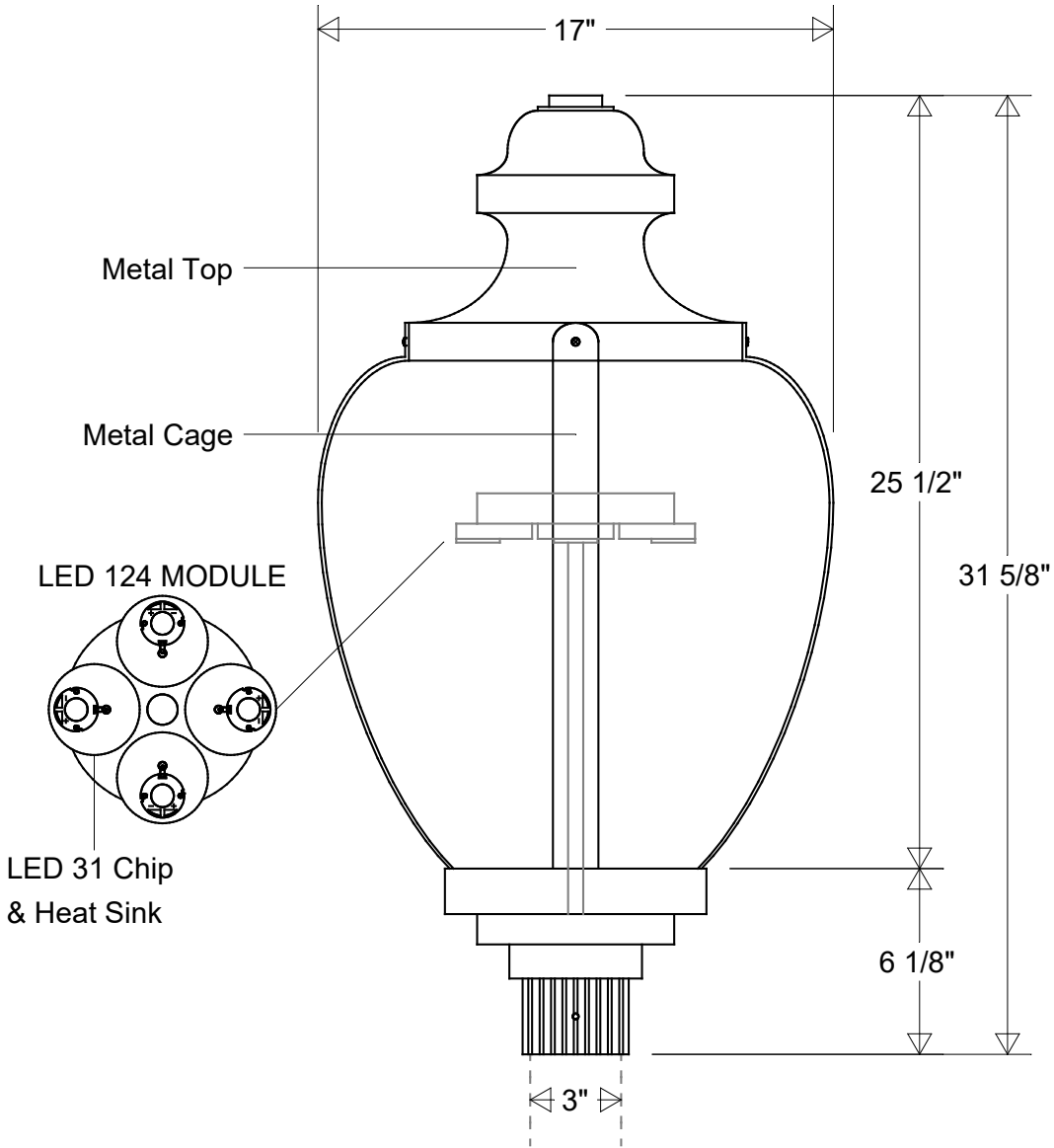


Primelite Manufacturing Corp

407 S Main St, Freeport, NY 11520

Phone: 516-868-4411 | Fax: 516-868-4609
 sales@primelite-mfg.com | www.primelite-mfg.com

PART # #1230 X LED 124	LAMP Built-In LED	VOLTAGE 120 V	COLOR Powder Coated Paint
JOB NAME			TYPE Post Light



Lamp: LED 124 Module

250 W MH Equivalent
 3K = 25000 Lumens
 4K = 26352 Lumens



	Initials	Date
Drawn	CB	02/2023

#1230 X LED 124

17" Dia | 31 5/8" H

Fits 3" OD Round Posts & Pier Mounts

Revisions

Zone	Rev	Description	Date	Appr

Construction:
 Aluminum | Polycarbonate

MFR Appr.		
QA		

Size	Drawing No.	Rev
A	0001	A

Unless Otherwise Specified:
 Dimensions in Inches

Weight:

Scale	CAD File	Sheet
		1 of 1