

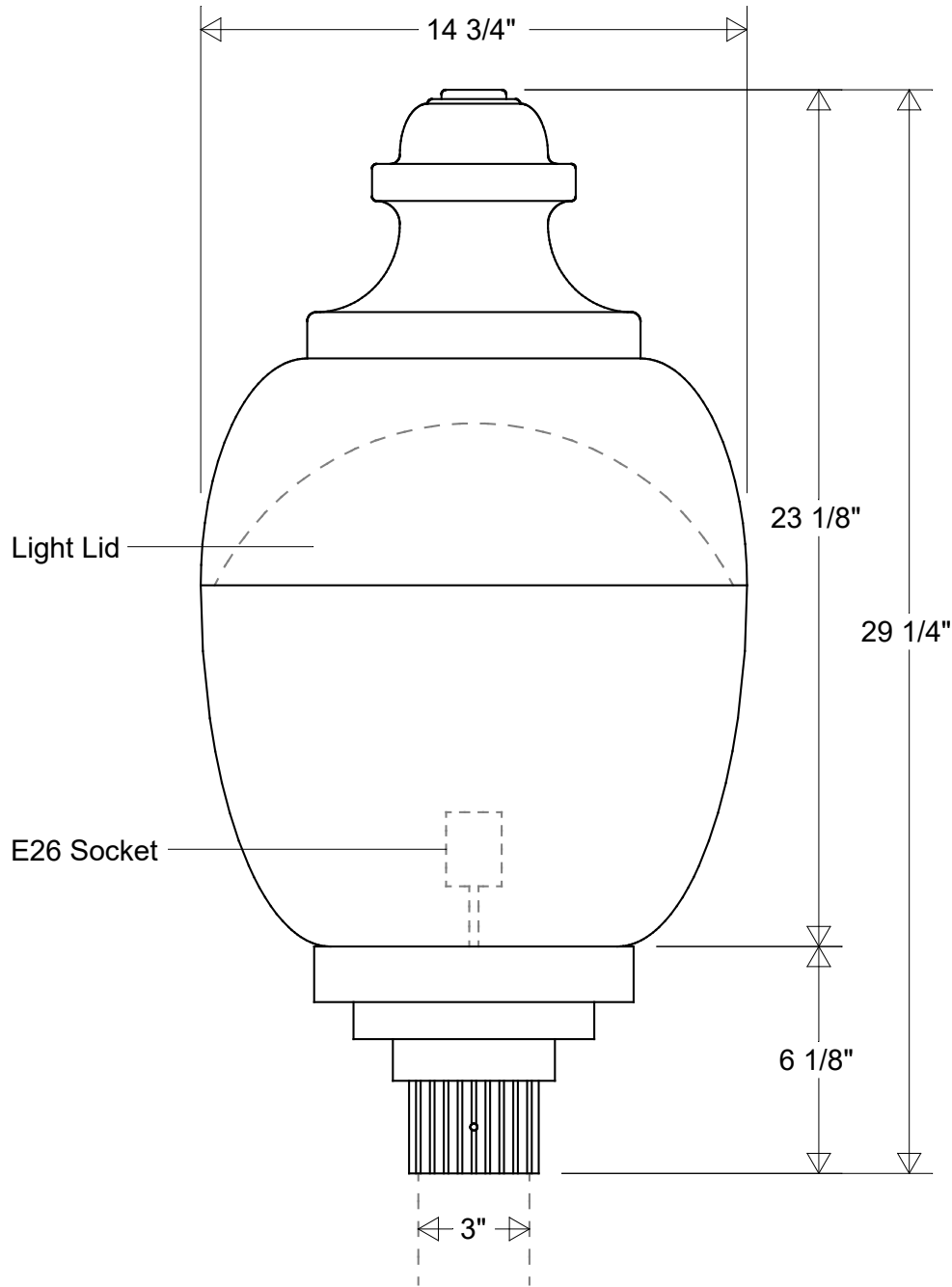



# Primelite Manufacturing Corp

407 S Main St, Freeport, NY 11520

Phone: 516-868-4411 | Fax: 516-868-4609  
 sales@primelite-mfg.com | www.primelite-mfg.com

<b>PART #</b> #1229 LL	<b>LAMP</b> E26 Socket	<b>VOLTAGE</b> 120 V	<b>COLOR</b> Powder Coated Paint
<b>JOB NAME</b>			<b>TYPE</b> Post Light



<b>Lamp: E26 Socket</b> Max Wattage: 300 W 	<b>Initials</b>	<b>Date</b>	<h2>Post Light #1229 LL</h2> <p>14 3/4" Dia   29 1/4" H</p> <p>Fits 3" OD Round Posts and Pier Mounts</p>																																		
	Drawn	CB						08/2022																													
	Checked			<table border="1"> <thead> <tr> <th colspan="5">Revisions</th> </tr> <tr> <th>Zone</th> <th>Rev</th> <th>Description</th> <th>Date</th> <th>Appr</th> </tr> </thead> <tbody> <tr><td> </td><td> </td><td> </td><td> </td><td> </td></tr> <tr><td> </td><td> </td><td> </td><td> </td><td> </td></tr> <tr><td> </td><td> </td><td> </td><td> </td><td> </td></tr> <tr><td> </td><td> </td><td> </td><td> </td><td> </td></tr> </tbody> </table>					Revisions					Zone	Rev	Description	Date	Appr																			
Revisions																																					
Zone	Rev	Description	Date	Appr																																	
<b>Construction:</b> Aluminum   Polycarbonate	MFR Appr.		Size	Drawing No.	Rev																																
<b>Unless Otherwise Specified:</b> Dimensions in Inches	Weight:		<b>A</b>	<b>0001</b>	<b>A</b>																																
			Scale	CAD File	Sheet	<b>1 of 1</b>																															