

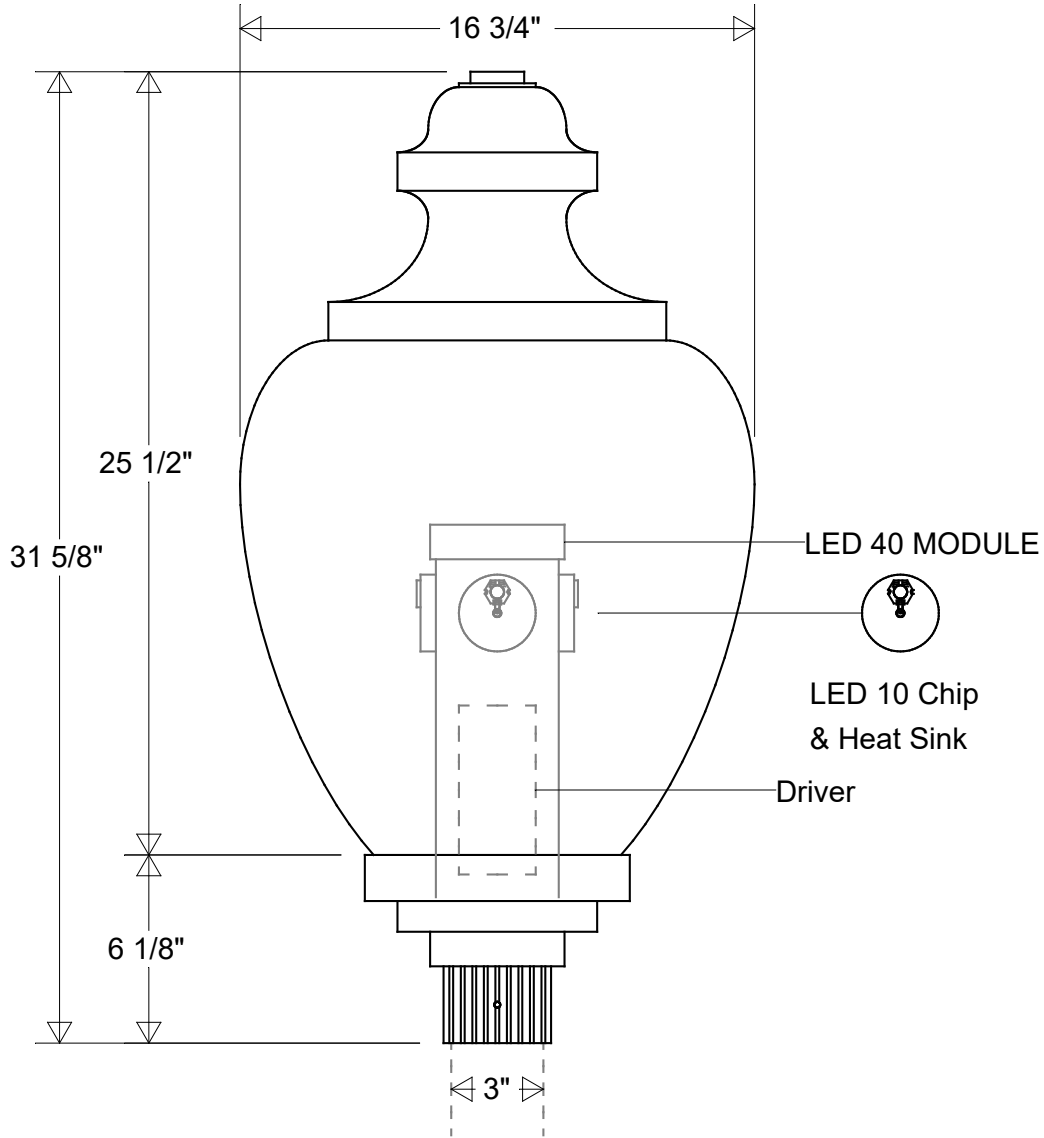


Primelite Manufacturing Corp

407 S Main St, Freeport, NY 11520

Phone: 516-868-4411 | Fax: 516-868-4609
 sales@primelite-mfg.com | www.primelite-mfg.com

PART # #1227	LAMP LED 40	VOLTAGE 120-277 V	COLOR Powder Coated Paint
JOB NAME			TYPE Post Light



Lamp: LED 40 Module

150 W MH Equivalent
 3K = 6564 Lumens
 4K = 6756 Lumens



	Initials	Date
Drawn	CB	05/2023
Checked		
ENG Appr.		
MFR Appr.		
QA		

#1227 LED 40

16 3/4" Dia | 31 5/8" H
 Fits 3" OD Round Posts & Pier Mounts

Size	Drawing No.	Rev
A	0001	A

Revisions

Zone	Rev	Description	Date	Appr

Unless Otherwise Specified:
 Dimensions in Inches

Weight:	Scale	CAD File	Sheet
			1 of 1