

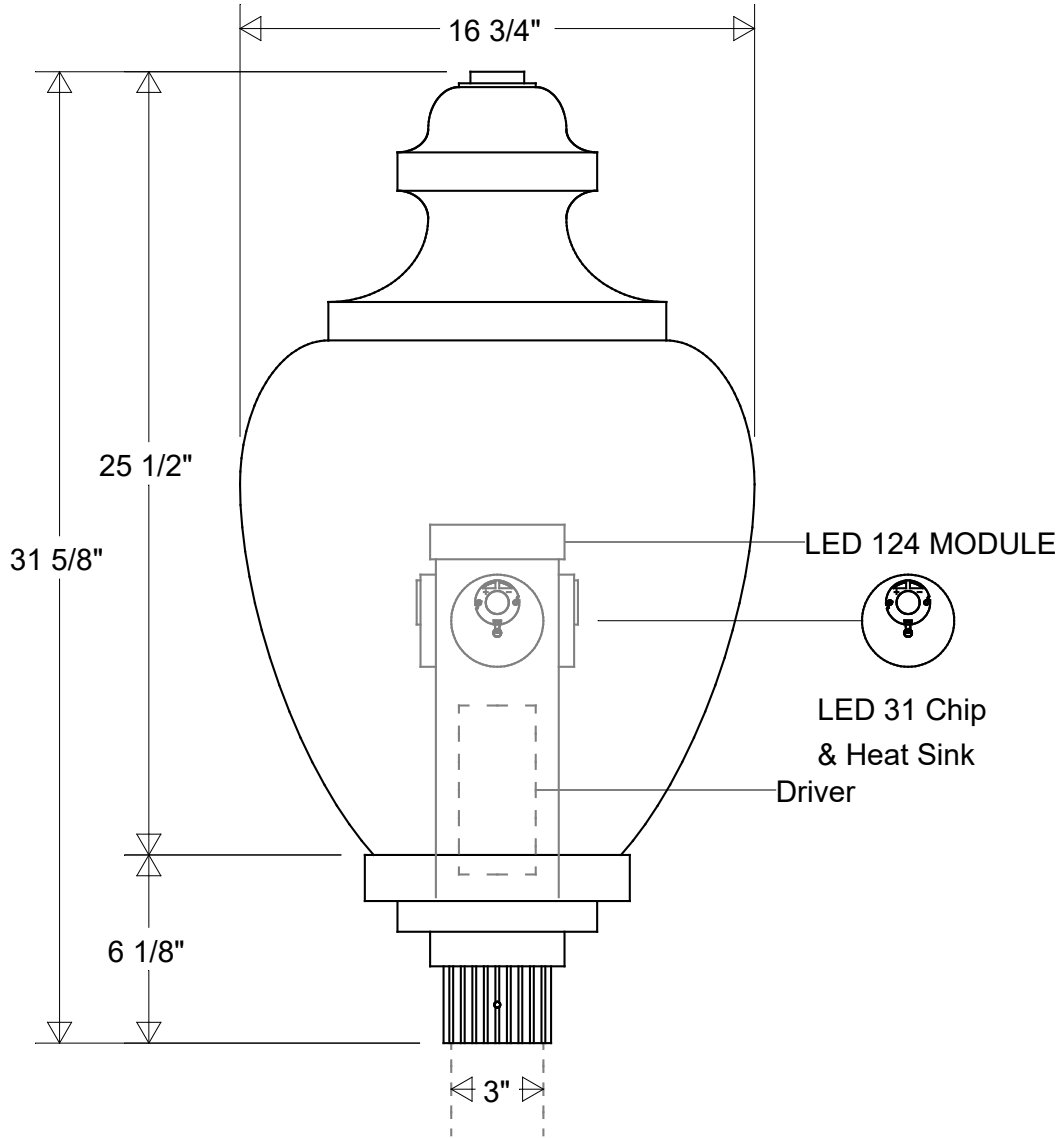


# Primelite Manufacturing Corp

407 S Main St, Freeport, NY 11520

Phone: 516-868-4411 | Fax: 516-868-4609  
 sales@primelite-mfg.com | www.primelite-mfg.com

PART # #1227	LAMP LED 124	VOLTAGE 120-277 V	COLOR Powder Coated Paint
JOB NAME			TYPE Post Light



**Lamp: LED 124 Module**

250 W MH Equivalent  
 3K = 25000 Lumens  
 4K = 26352 Lumens



	Initials	Date
Drawn	CB	05/2023
Checked		
ENG Appr.		
MFR Appr.		
QA		

## #1227 LED 124

16 3/4" Dia | 31 5/8" H  
 Fits 3" OD Round Posts & Pier Mounts

Size	Drawing No.	Rev
<b>A</b>	<b>0001</b>	<b>A</b>

**Revisions**

Zone	Rev	Description	Date	Appr

**Construction:**  
 Aluminum | Polycarbonate

**Unless Otherwise Specified:**  
 Dimensions in Inches

**Weight:**

Scale

CAD File

Sheet

**1 of 1**