

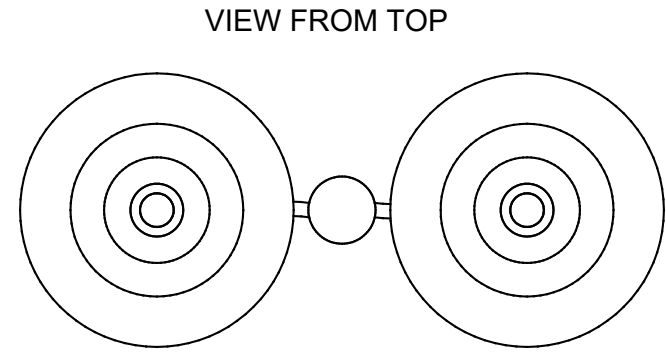
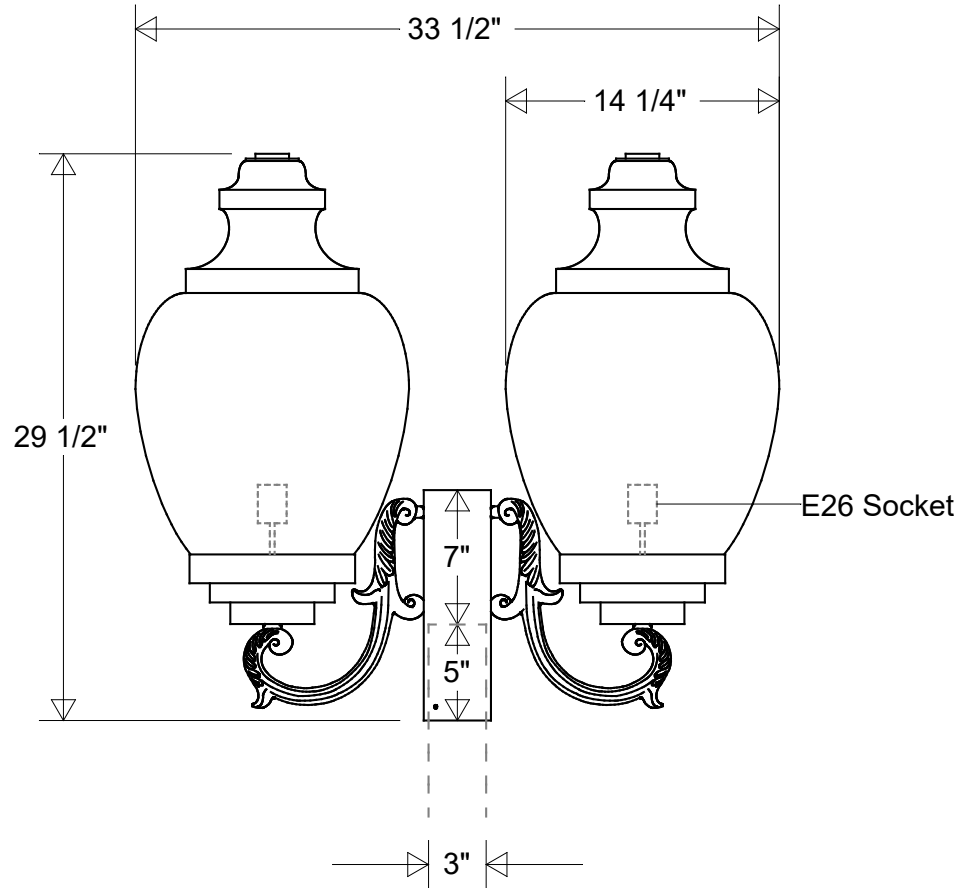



Primelite Manufacturing Corp

407 S Main St, Freeport, NY 11520

Phone: 516-868-4411 | Fax: 516-868-4609
 sales@primelite-mfg.com | www.primelite-mfg.com

PART # #1225 CA2	LAMP E26 Socket	VOLTAGE 120 V	COLOR Powder Coated Paint
JOB NAME			TYPE Post Light



Lamp: E26 Socket x 2 Max Wattage: 300W Each 	Initials	Date	<h2>Post Light #1225 CA2</h2>							
	Drawn	CB						04/2022		
	Checked			14 1/4" Dia 33 1/2" W 29 1/2" H Polycarbonate Globe: Clear (/4) Frosted (/5)		Revisions				
Construction: Aluminum Polycarbonate	MFR Appr. QA		Size A	Drawing No. 0001	Rev A	Zone	Rev	Description	Date	Appr
Unless Otherwise Specified: Dimensions in Inches	Weight:		Scale	CAD File	Sheet 1 of 1					