



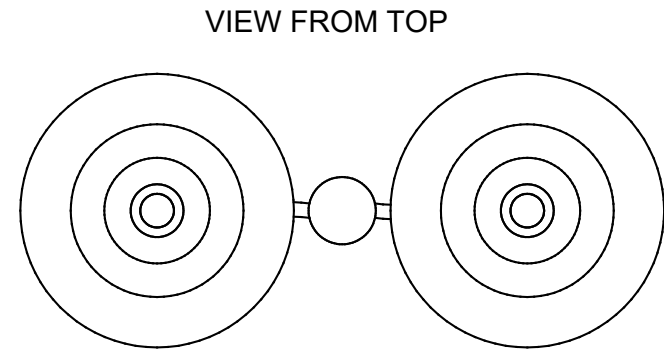
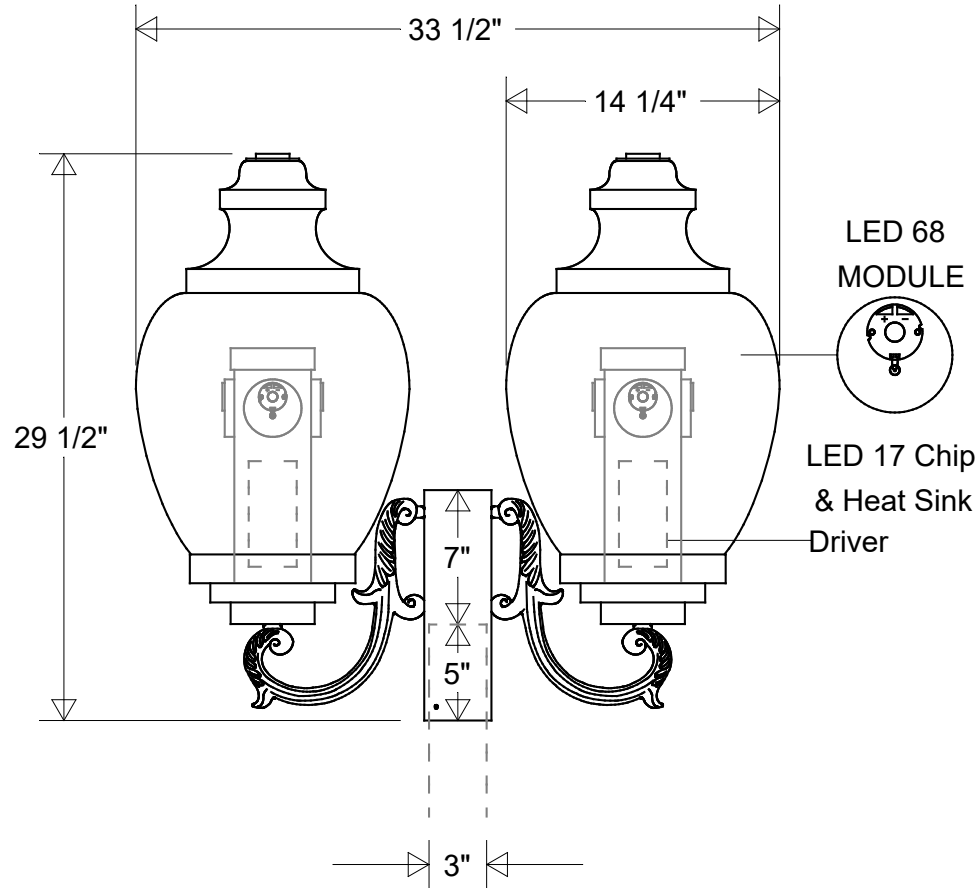
# Primelite Manufacturing Corp


407 S Main St, Freeport, NY 11520

Phone: 516-868-4411 | Fax: 516-868-4609

sales@primelite-mfg.com | www.primelite-mfg.com

PART # #1225 CA2 LED 68	LAMP Built-In LED	VOLTAGE 120 V	COLOR Powder Coated Paint
JOB NAME			TYPE Post Light



<b>Lamp: LED 68 (LED 17 Chip X4)</b> 175 W MH Equivalent 3K = 7712 Lumens 4K = 8552 Lumens 	Initials	Date	<b>Post Light #1225 CA2 LED 68</b>			
	Drawn	CB				04/2022
	Checked			14 1/4" Dia   33 1/2" W   29 1/2" H Polycarbonate Globe: Clear (/4)   Frosted (/5)		
	ENG Appr.					
Construction: Aluminum   Polycarbonate	MFR Appr.		Size	Drawing No.	Rev	
	QA		<b>A</b>	<b>0001</b>	<b>A</b>	
Unless Otherwise Specified: Dimensions in Inches	Weight:		Scale	CAD File	Sheet	
					<b>1 of 1</b>	

Revisions				
Zone	Rev	Description	Date	Appr