

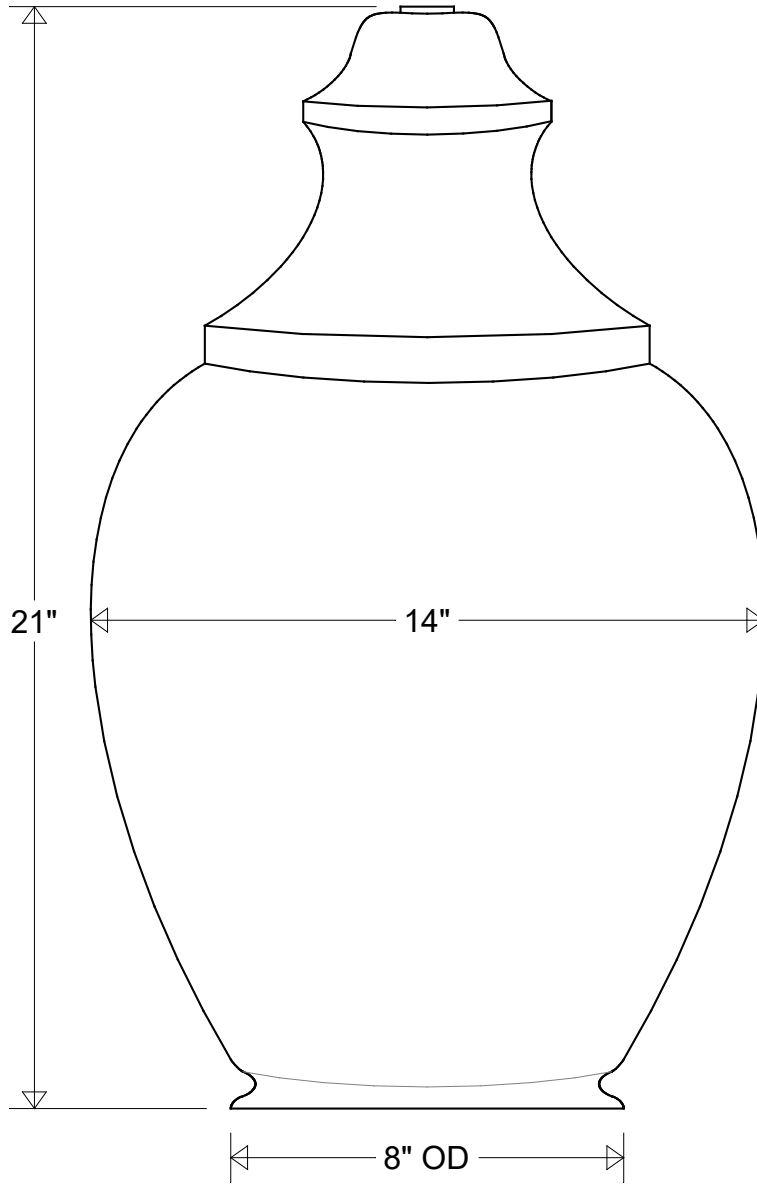


# Primelite Manufacturing Corp

407 S Main St, Freeport, NY 11520

Phone: 516-868-4411 | Fax: 516-868-4609  
 sales@primelite-mfg.com | www.primelite-mfg.com

PART # #1225/5 GNO	LAMP N/A	VOLTAGE N/A	COLOR Frosted
JOB NAME			TYPE Street Light Globe Only



Lamp: N/A Max Wattage: N/A	Name	Date	<b>Globe Only #1225/5 GNO</b>			Revisions					
	Drawn	CB				05/2021	Zone	Rev	Description	Date	Approved
	Checked			14" Dia   21" H   8" Neck							
	ENG Appr.			Frosted Acrylic Globe							
Construction: Acrylic	MFR Appr.			Size	Drawing No.	Rev					
	QA			<b>A</b>	<b>0001</b>	<b>A</b>					
Unless Otherwise Specified: Dimensions in Inches	Weight			Scale	CAD File	Sheet					
						<b>1 of 1</b>					