

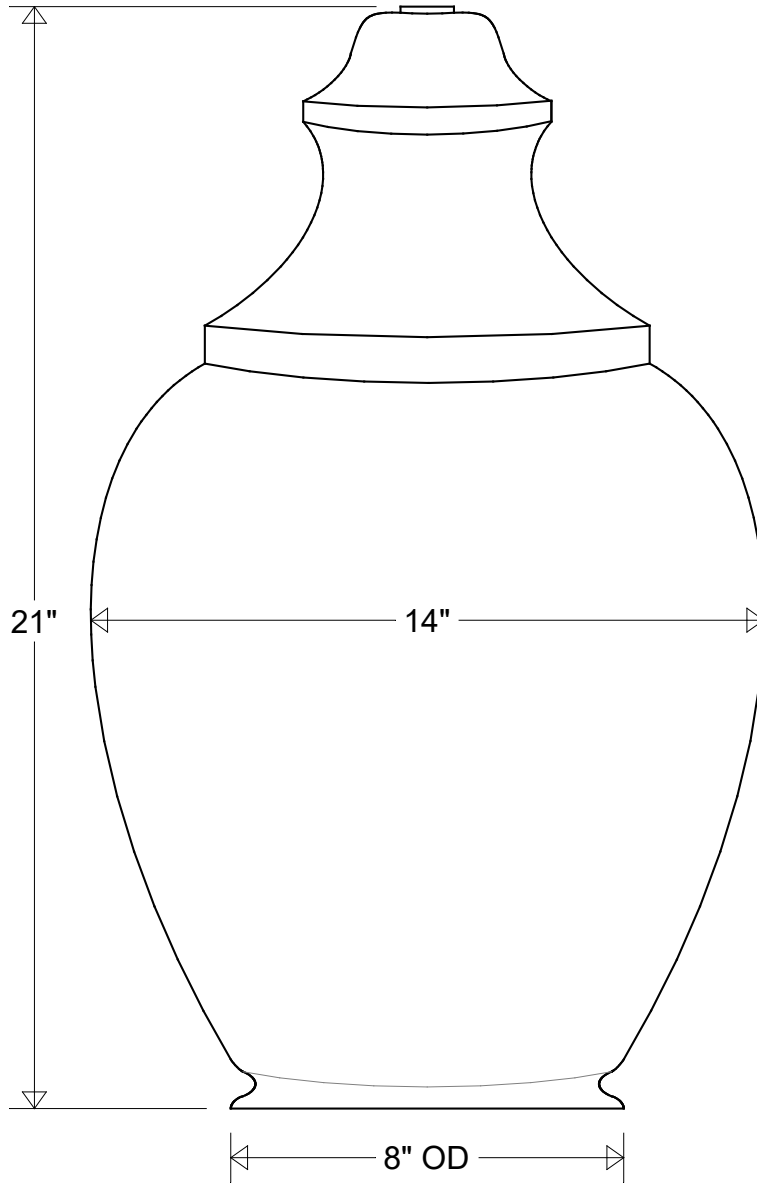


# Primelite Manufacturing Corp

407 S Main St, Freeport, NY 11520

Phone: 516-868-4411 | Fax: 516-868-4609  
 sales@primelite-mfg.com | www.primelite-mfg.com

PART # #1225/4 GNO	LAMP N/A	VOLTAGE N/A	COLOR Clear
JOB NAME			TYPE Street Light Globe Only



<b>Lamp: N/A</b> Max Wattage: N/A	Name		Date	<b>Globe Only #1225/4 GNO</b>		Revisions				
	Drawn	CB	05/2021							
	Checked			14" Dia   21" H   8" Neck Clear Polycarbonate Globe		Zone	Rev	Description	Date	Approved
	ENG Appr.			Size	Drawing No.	Rev				
<b>Construction: Polycarbonate</b>	QA			<b>A</b>	<b>0001</b>	<b>A</b>				
<b>Unless Otherwise Specified:</b> Dimensions in Inches	Weight			Scale	CAD File	Sheet	<b>1 of 1</b>			