

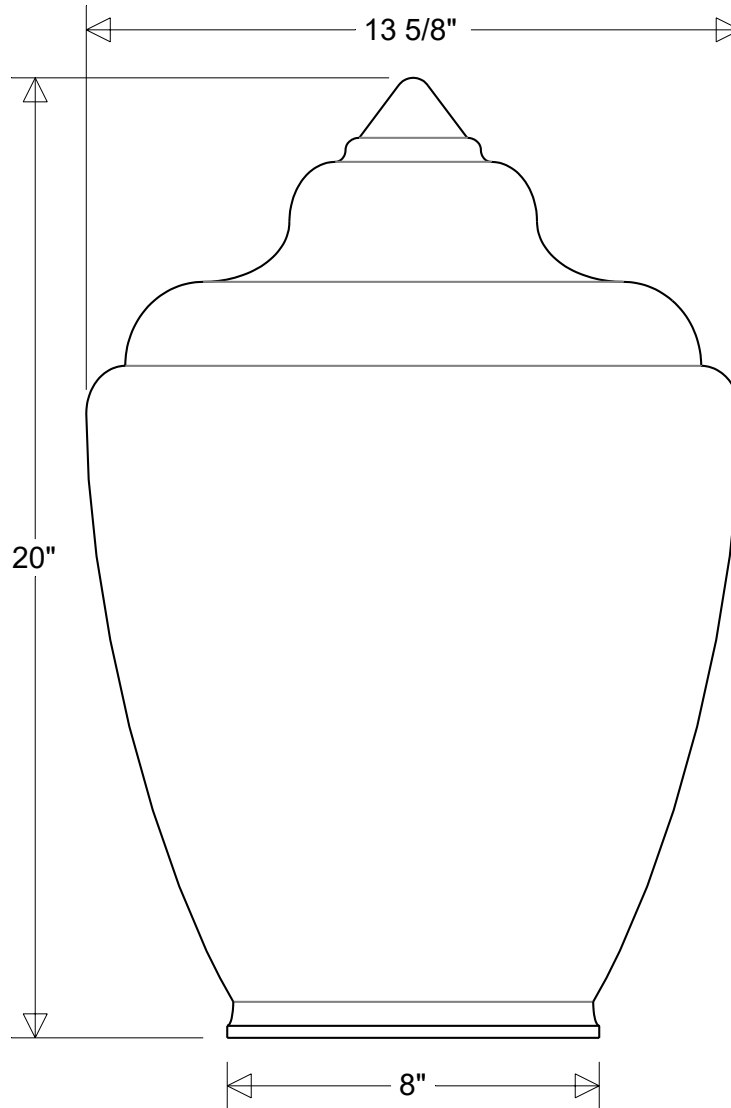


Primelite Manufacturing Corp.

407 S Main St, Freeport, NY 11520
Phone: (516) 868-4411 | Fax: (516) 868-4609
sales@primelite-mfg.com | www.primelite-mfg.com

PROUDLY MADE IN THE USA SINCE 1962!
"SPECIALTIES ARE OUR SPECIALTY!"

Job Info



#1219 GNO

13 5/8" Dia | 20" H | 8" Neck
Clear Polycarbonate Globe Only

Lamp: N/A

Finish:
Textured Clear

Drawn:
CB
05/2024

Scale:
1/4

Approvals

Voltage: N/A

Material:
Polycarbonate

Note:
All dimensions are nominal.
Actual dimensions may vary.