



Primelite Manufacturing Corp

407 S Main St, Freeport, NY 11520

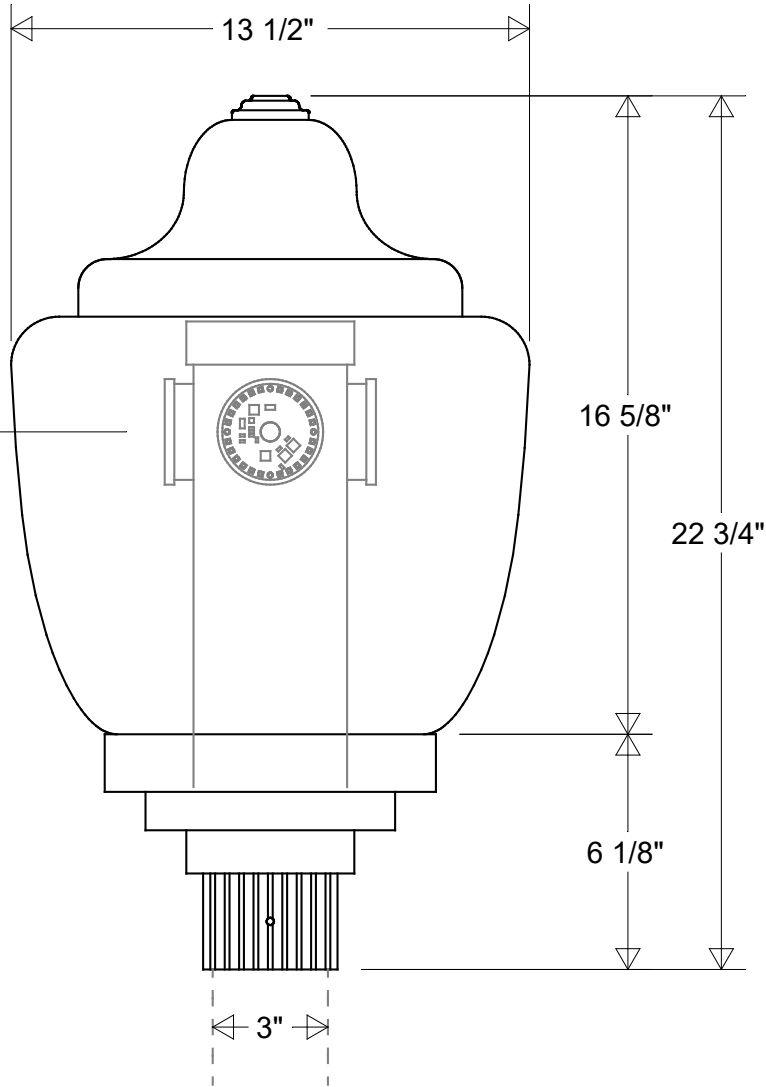
Phone: 516-868-4411 | Fax: 516-868-4609
 sales@primelite-mfg.com | www.primelite-mfg.com

PART # #1217 LED 48	LAMP Built-In LED	VOLTAGE 120 V	COLOR Powder Coated Paint
JOB NAME			TYPE Post Light

LED 48 MODULE



LED 12 Chip
& Heat Sink



Lamp: LED 48 Module

50 W MH Equivalent
 3K = 3640 Lumens
 4K = 4000 Lumens



	Initials	Date
Drawn	CB	08/2022

Checked		
----------------	--	--

ENG Appr.		
------------------	--	--

MFR Appr.		
------------------	--	--

QA		
-----------	--	--

Post Light #1217 LED 48

13 1/2" Dia | 22 3/4" H

Fits 3" OD Round Posts & Pier Mounts

Revisions

Zone	Rev	Description	Date	Appr

Construction:
 Aluminum | Polycarbonate

Size	Drawing No.	Rev
A	0001	A

Unless Otherwise Specified:
 Dimensions in Inches

Weight:	Scale	CAD File	Sheet
			1 of 1