

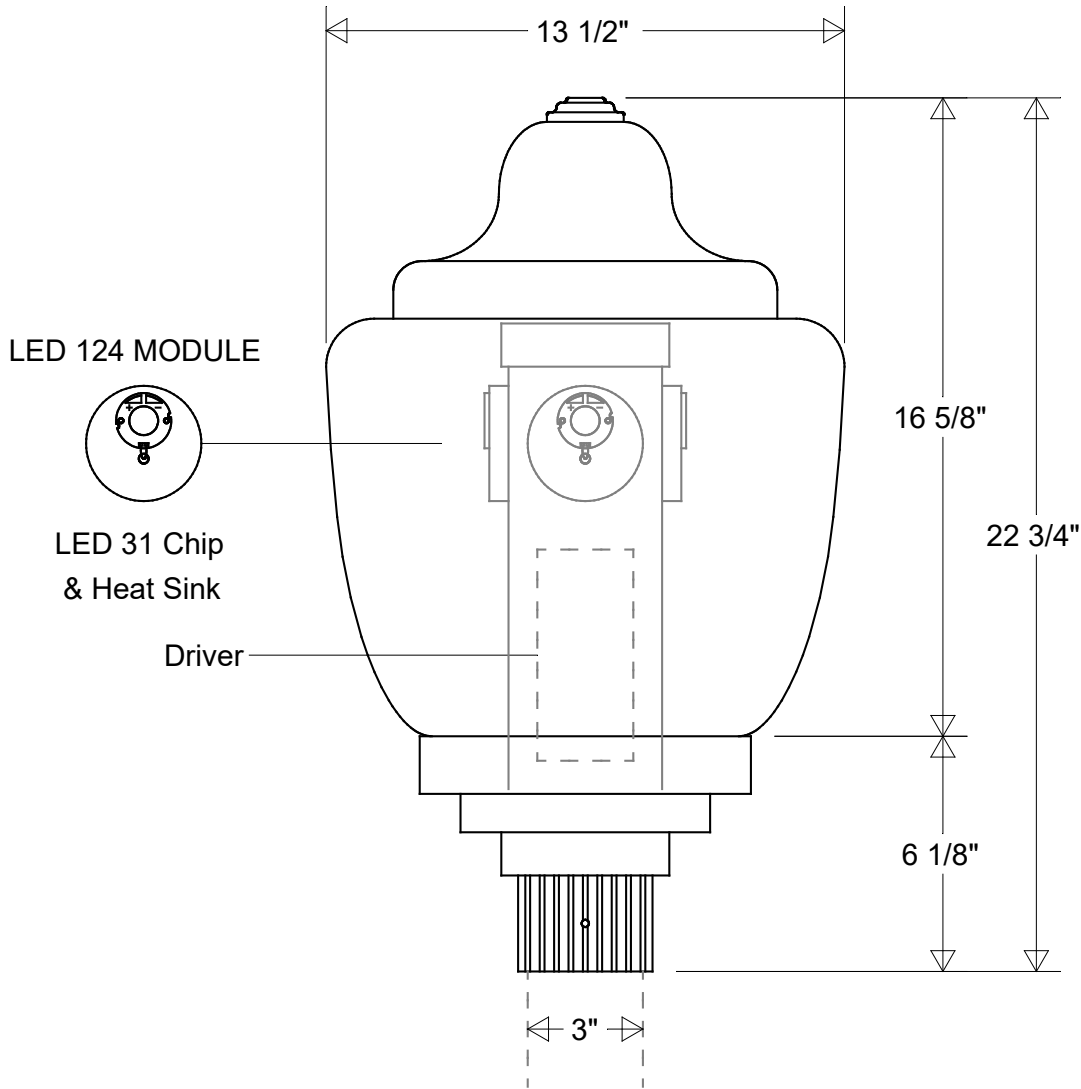


# Primelite Manufacturing Corp

407 S Main St, Freeport, NY 11520

Phone: 516-868-4411 | Fax: 516-868-4609  
 sales@primelite-mfg.com | www.primelite-mfg.com

<b>PART #</b> #1217 LED 124	<b>LAMP</b> Built-In LED	<b>VOLTAGE</b> 120 V	<b>COLOR</b> Powder Coated Paint
<b>JOB NAME</b>			<b>TYPE</b> Post Light



**Lamp: LED 124 Module**

400 W MH Equivalent  
 3K = 15,128 Lumens  
 4K = 15,996 Lumens



	<b>Initials</b>	<b>Date</b>
<b>Drawn</b>	CB	08/2022
<b>Checked</b>		
<b>ENG Appr.</b>		
<b>MFR Appr.</b>		
<b>QA</b>		

## Post Light #1217 LED 124

13 1/2" Dia | 22 3/4" H

Fits 3" OD Round Posts & Pier Mounts

**Revisions**

Zone	Rev	Description	Date	Appr

**Construction:**  
 Aluminum | Polycarbonate

<b>Weight:</b>	
----------------	--

<b>Size</b>	<b>Drawing No.</b>	<b>Rev</b>
<b>A</b>	<b>0001</b>	<b>A</b>

**Unless Otherwise Specified:**  
 Dimensions in Inches

<b>Scale</b>	<b>CAD File</b>	<b>Sheet</b>
		<b>1 of 1</b>