

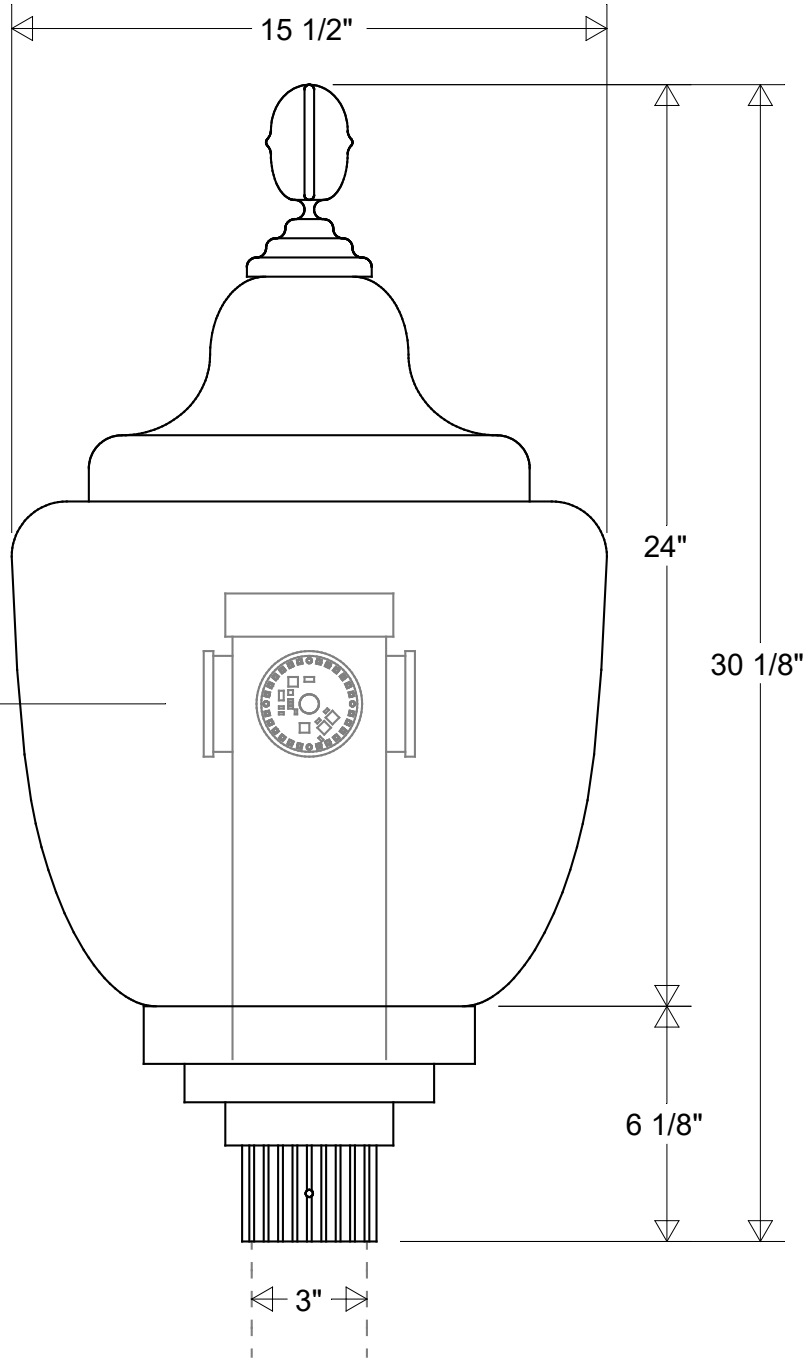


Primelite Manufacturing Corp

407 S Main St, Freeport, NY 11520

Phone: 516-868-4411 | Fax: 516-868-4609
 sales@primelite-mfg.com | www.primelite-mfg.com

PART # #1216 LED 48	LAMP Built-In LED	VOLTAGE 120 V	COLOR Powder Coated Paint
JOB NAME			TYPE Post Light



LED 48 MODULE



LED 12 Chip
& Heat Sink

Lamp: LED 48 Module

50 W MH Equivalent
 3K = 3640 Lumens
 4K = 4000 Lumens



	Initials	Date
Drawn	CB	08/2022
Checked		
ENG Appr.		
MFR Appr.		
QA		

Post Light #1216 LED 48

15 1/2" Dia | 30 1/8" H | Black Top & Finial
 Fits 3" OD Round Posts & Pier Mounts

Size	Drawing No.	Rev
A	0001	A

Revisions				
Zone	Rev	Description	Date	Appr

Construction:
 Aluminum | Polycarbonate

Unless Otherwise Specified:
 Dimensions in Inches

Weight:

Scale **CAD File** **Sheet**
1 of 1