

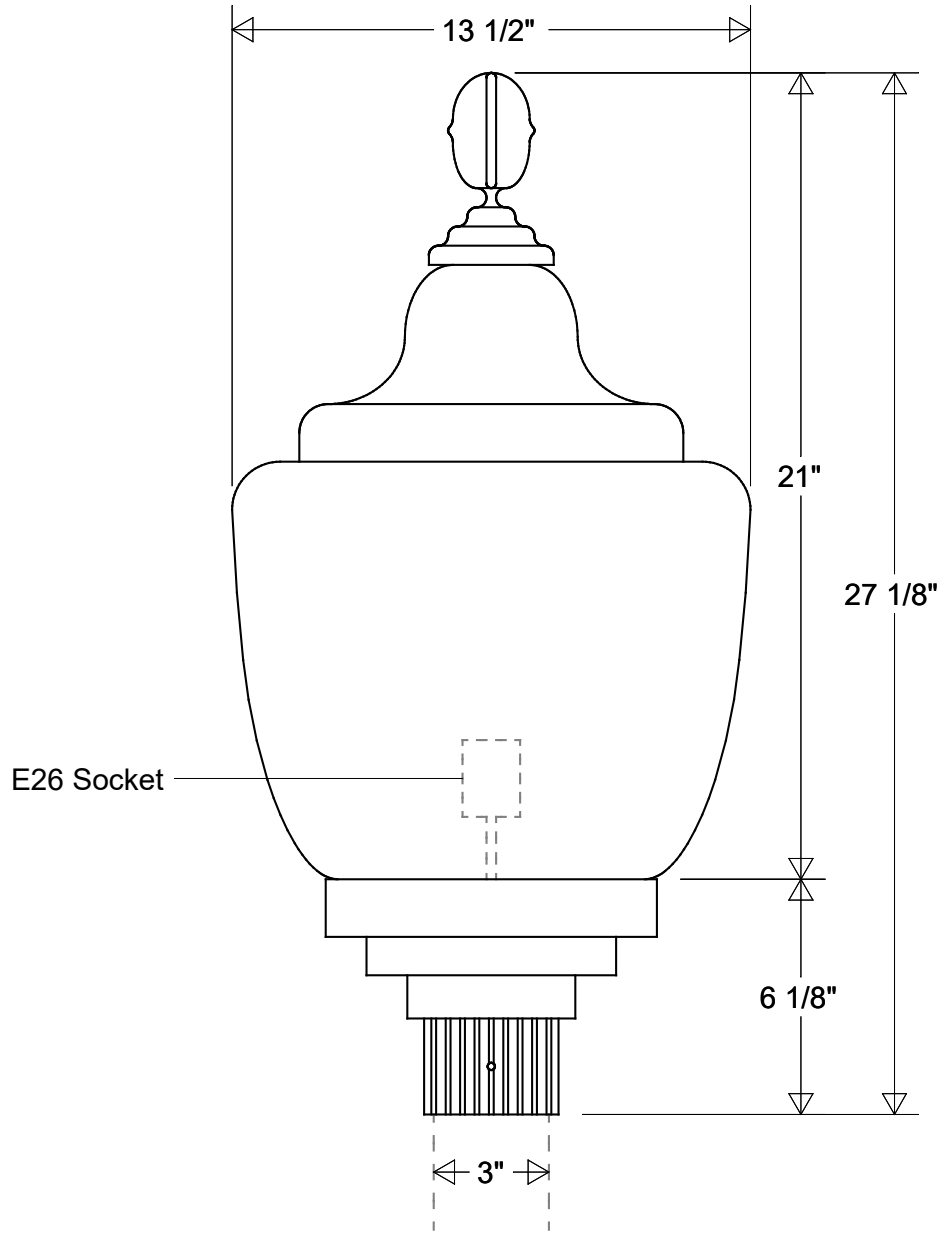



# Primelite Manufacturing Corp

407 S Main St, Freeport, NY 11520

Phone: 516-868-4411 | Fax: 516-868-4609  
 sales@primelite-mfg.com | www.primelite-mfg.com

<b>PART #</b> #1215	<b>LAMP</b> E26 Socket	<b>VOLTAGE</b> 120 V	<b>COLOR</b> Powder Coated Paint
<b>JOB NAME</b>			<b>TYPE</b> Post Light



<b>Lamp: E26 Socket</b> Max Wattage: 300 W 	<b>Initials</b>	<b>Date</b>	<h2>Post Light #1215</h2> <p>13 1/2" Dia   27 1/8" H   Black Top &amp; Finial          Fits 3" OD Round Posts &amp; Pier Mounts</p>						
	Drawn	CB						08/2022	
	Checked			<b>Revisions</b>		<b>Zone</b>	<b>Rev</b>	<b>Description</b>	<b>Date</b>
<b>Construction:</b> Aluminum   Polycarbonate	ENG Appr.			Size	Drawing No.	Rev			
<b>Unless Otherwise Specified:</b> Dimensions in Inches	MFR Appr.			<b>A</b>	<b>0001</b>	<b>A</b>			
	QA			Scale	CAD File	Sheet			<b>1 of 1</b>