

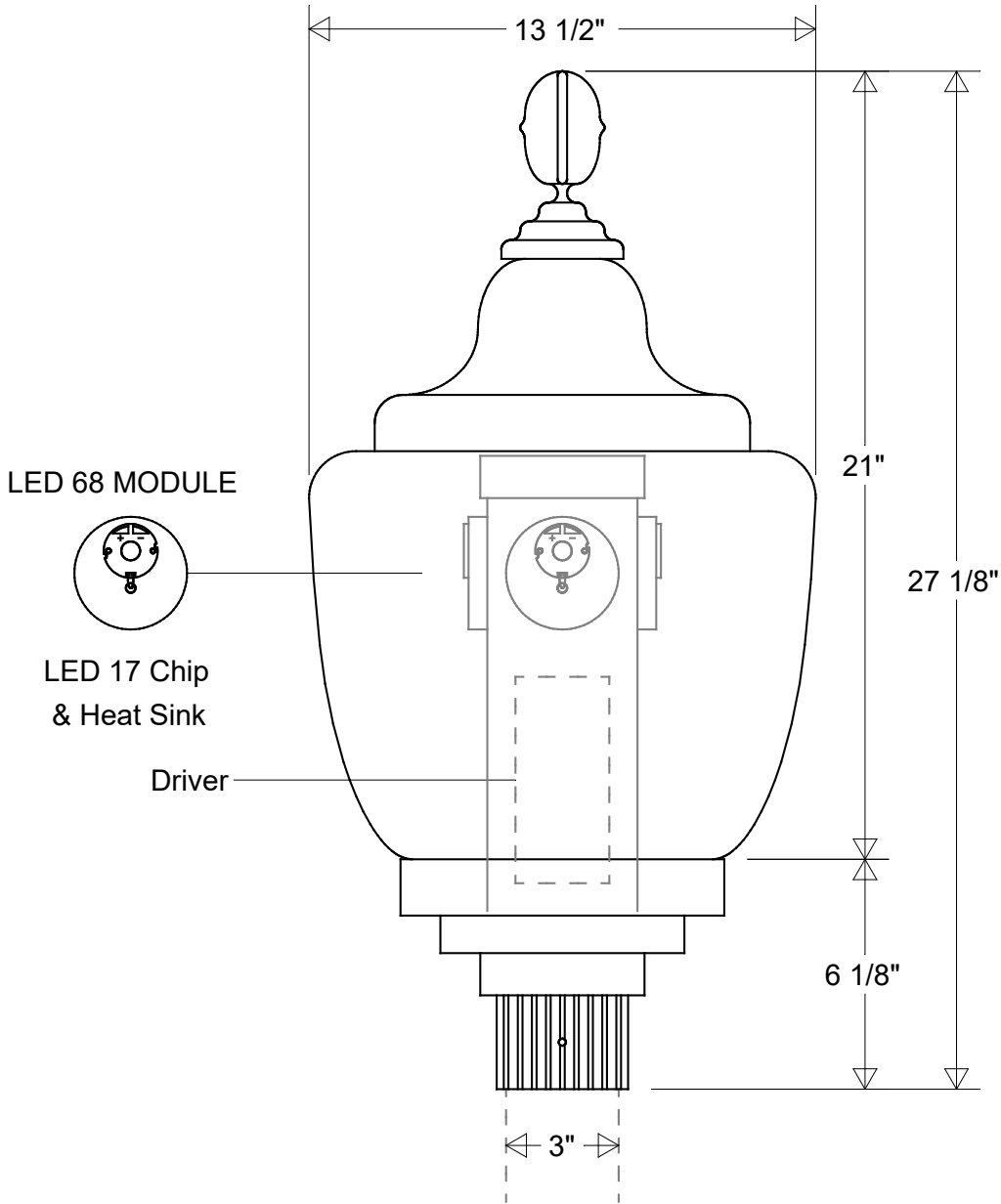


Primelite Manufacturing Corp

407 S Main St, Freeport, NY 11520

Phone: 516-868-4411 | Fax: 516-868-4609
 sales@primelite-mfg.com | www.primelite-mfg.com

PART # #1215 LED 68	LAMP Built-In LED	VOLTAGE 120 V	COLOR Powder Coated Paint
JOB NAME			TYPE Post Light



Lamp: LED 68 Module 175 W MH Equivalent 3K = 7712 Lumens 4K = 8552 Lumens	Initials Drawn: CB Checked: ENG Appr.: MFR Appr.: QA:	Date 08/2022	<h2>Post Light #1215 LED 68</h2> <p>13 1/2" Dia 27 1/8" H Black Top & Finial Fits 3" OD Round Posts & Pier Mounts</p>		Revisions				
	Construction: Aluminum Polycarbonate	Weight:			Size A	Drawing No. 0001	Rev A	Zone	Rev
Unless Otherwise Specified: Dimensions in Inches	Scale	CAD File	Sheet 1 of 1						