

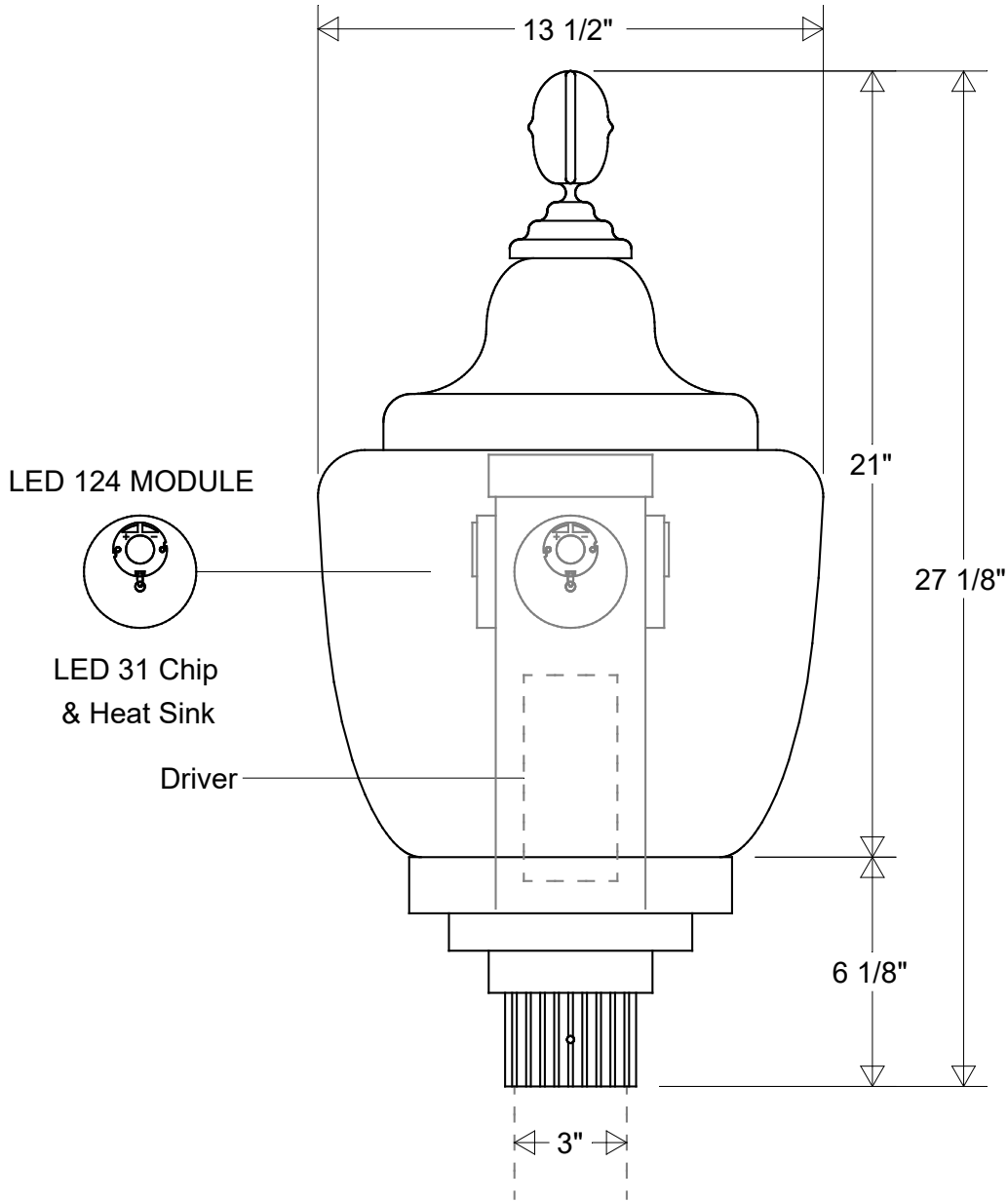



# Primelite Manufacturing Corp

407 S Main St, Freeport, NY 11520

Phone: 516-868-4411 | Fax: 516-868-4609  
 sales@primelite-mfg.com | www.primelite-mfg.com

<b>PART #</b> #1215 LED 124	<b>LAMP</b> Built-In LED	<b>VOLTAGE</b> 120 V	<b>COLOR</b> Powder Coated Paint
<b>JOB NAME</b>			<b>TYPE</b> Post Light



<b>Lamp: LED 124 Module</b> 400 W MH Equivalent 3K = 15,128 Lumens 4K = 15,996 Lumens 	<b>Initials</b>	<b>Date</b>	<h2>Post Light #1215 LED 124</h2> <p>13 1/2" Dia   27 1/8" H   Black Top &amp; Finial          Fits 3" OD Round Posts &amp; Pier Mounts</p>				
	<b>Drawn</b>	CB					
	<b>Checked</b>			<b>Revisions</b>			
<b>ENG Appr.</b>			<b>Zone</b>	<b>Rev</b>	<b>Description</b>	<b>Date</b>	<b>Appr</b>
<b>Construction:</b> Aluminum   Polycarbonate	<b>MFR Appr.</b>		<b>Size</b>	<b>Drawing No.</b>	<b>Rev</b>		
	<b>QA</b>		<b>A</b>	<b>0001</b>	<b>A</b>		
<b>Unless Otherwise Specified:</b> Dimensions in Inches	<b>Weight:</b>		<b>Scale</b>	<b>CAD File</b>	<b>Sheet</b>	<b>1 of 1</b>	