



# Primelite Manufacturing Corp

407 S Main St, Freeport, NY 11520

Phone: 516-868-4411 | Fax: 516-868-4609  
 sales@primelite-mfg.com | www.primelite-mfg.com

PART #

#12/10A

LAMP

Built-In LED

VOLTAGE

120 V

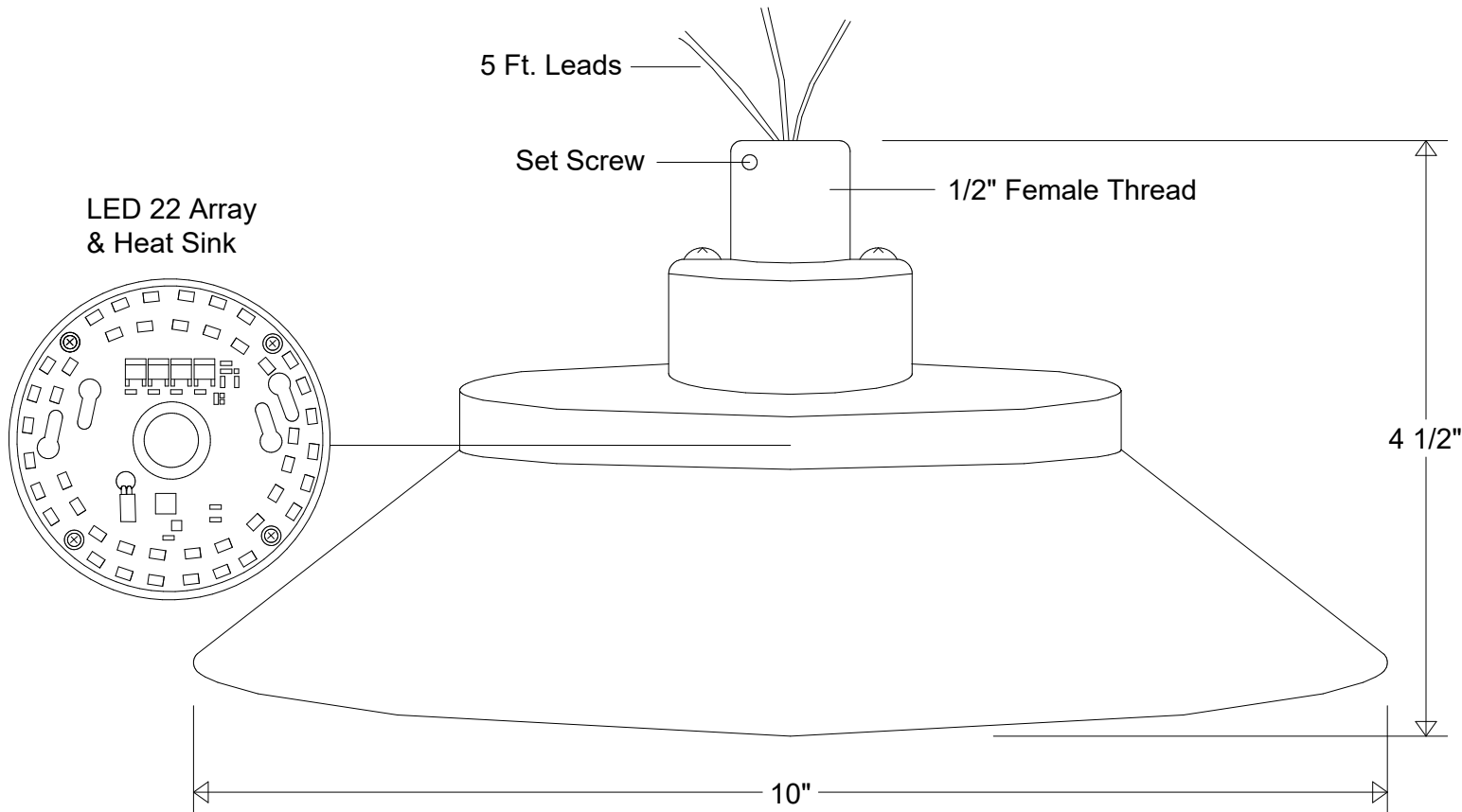
COLOR

Powder Coated Paint

JOB NAME

TYPE

Gooseneck Shade



Lamp: LED 22 Array  
 1800 Lumens | 100 W Inc Equivalent



Name

CB

Date

11/2020

## Shade #12/10A LED 22

10" Dia | 4 1/2" H  
 1/2" Female Threaded | 5' Leads

Construction: Aluminum

Unless Otherwise Specified:  
 Dimensions in Inches

QA

Weight

Size

**A**

Drawing No.

**0001**

Rev

**A**

Scale

CAD File

Sheet

**1 of 1**

Revisions

Zone	Rev	Description	Date	Approved