

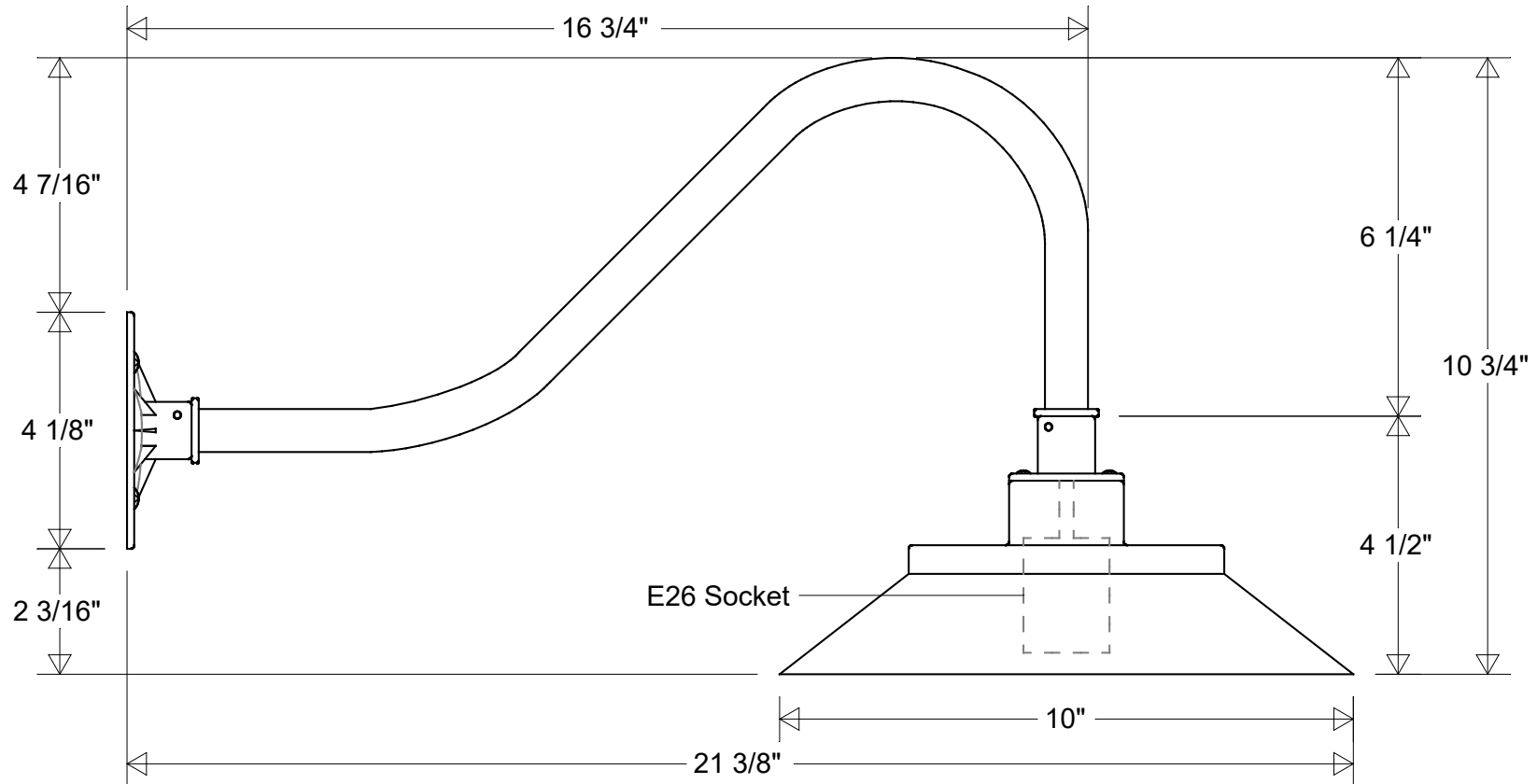


# Primelite Manufacturing Corp

407 S Main St, Freeport, NY 11520

Phone: 516-868-4411 | Fax: 516-868-4609  
 sales@primelite-mfg.com | www.primelite-mfg.com

|                      |                    |                  |                              |
|----------------------|--------------------|------------------|------------------------------|
| PART #<br>#12/10-859 | LAMP<br>E26 Socket | VOLTAGE<br>120 V | COLOR<br>Powder Coated Paint |
| JOB NAME             |                    |                  | TYPE<br>Gooseneck            |



Lamp: E26 Socket  
 Max Wattage: 100 W  
 Recommended Bulb: G25

|           |          |         |
|-----------|----------|---------|
|           | Initials | Date    |
| Drawn     | CB       | 05/2022 |
| Checked   |          |         |
| ENG Appr. |          |         |
| MFR Appr. |          |         |
| QA        |          |         |

## Gooseneck #12/10-859

10" Dia | 21 3/8" Ext | 10 3/4" H

6 1/4" Drop | 2 3/16" Below Box

| Revisions |     |             |      |      |
|-----------|-----|-------------|------|------|
| Zone      | Rev | Description | Date | Appr |
|           |     |             |      |      |
|           |     |             |      |      |
|           |     |             |      |      |

Construction:  
Aluminum

|          |             |          |
|----------|-------------|----------|
| Size     | Drawing No. | Rev      |
| <b>A</b> | <b>0001</b> | <b>A</b> |

Unless Otherwise Specified:  
Dimensions in Inches

|         |       |          |               |
|---------|-------|----------|---------------|
| Weight: | Scale | CAD File | Sheet         |
|         |       |          | <b>1 of 1</b> |