

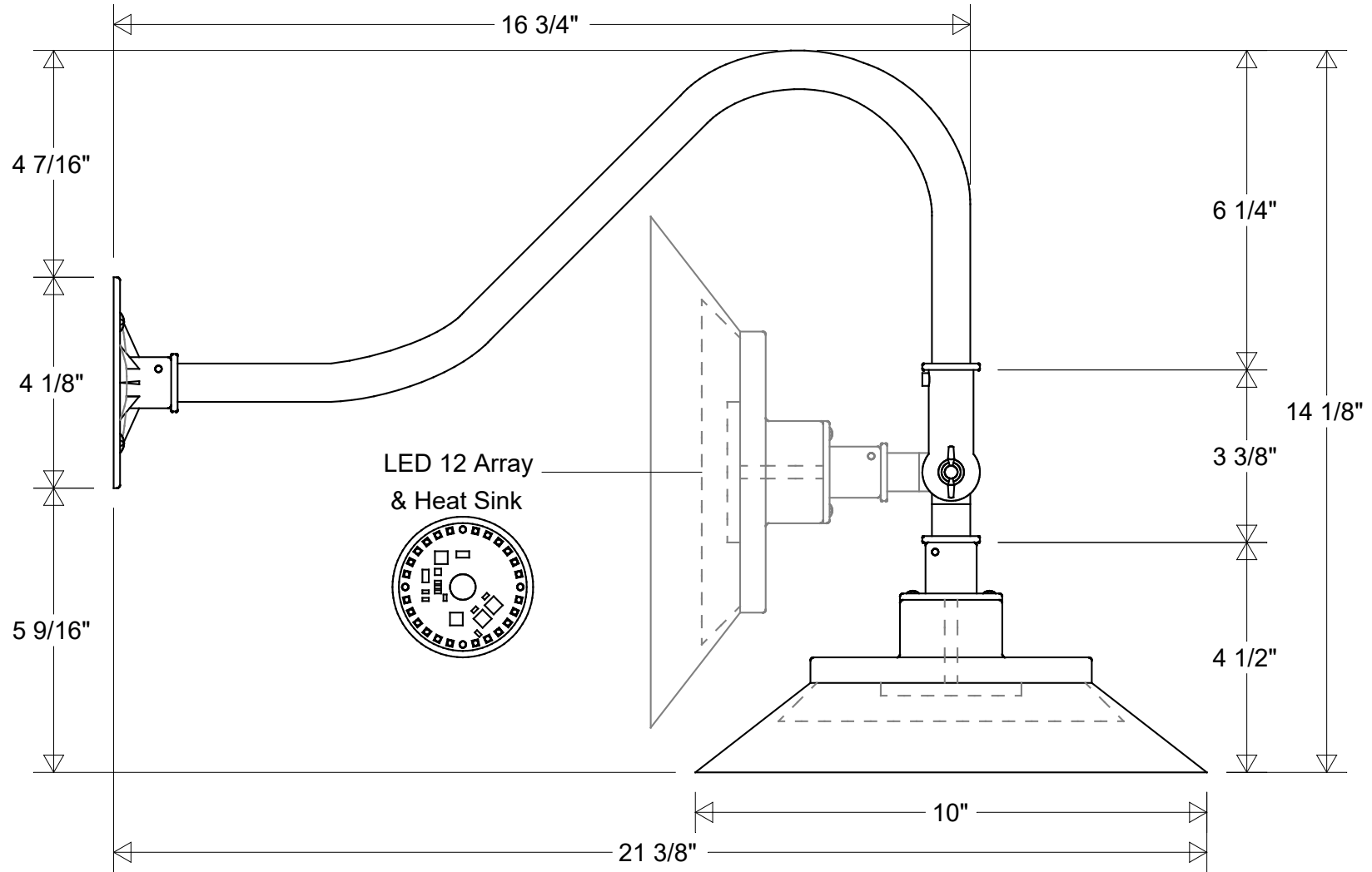


Primelite Manufacturing Corp

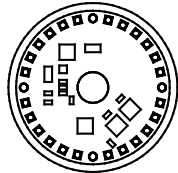
407 S Main St, Freeport, NY 11520

Phone: 516-868-4411 | Fax: 516-868-4609
 sales@primelite-mfg.com | www.primelite-mfg.com

PART # #12/10-859 ESW LED 12	LAMP Built-In LED	VOLTAGE 120 V	COLOR Powder Coated Paint
JOB NAME			TYPE Gooseneck



LED 12 Array
& Heat Sink



Lamp: LED 12 Array
 60 W Inc Equivalent
 3K = 910 Lumens
 4K = 1000 Lumens



	Initials	Date
Drawn	CB	05/2022
Checked		
ENG Appr.		
MFR Appr.		
QA		

Gooseneck #12/10-859 ESW LED 12

10" Dia | 21 3/8" Ext | 14 1/8" H

6 1/4" Drop | 5 9/16" Below Box

Size	Drawing No.	Rev
A	0001	A

Revisions				
Zone	Rev	Description	Date	Appr

Construction:
Aluminum

Weight:

Scale CAD File Sheet
1 of 1