

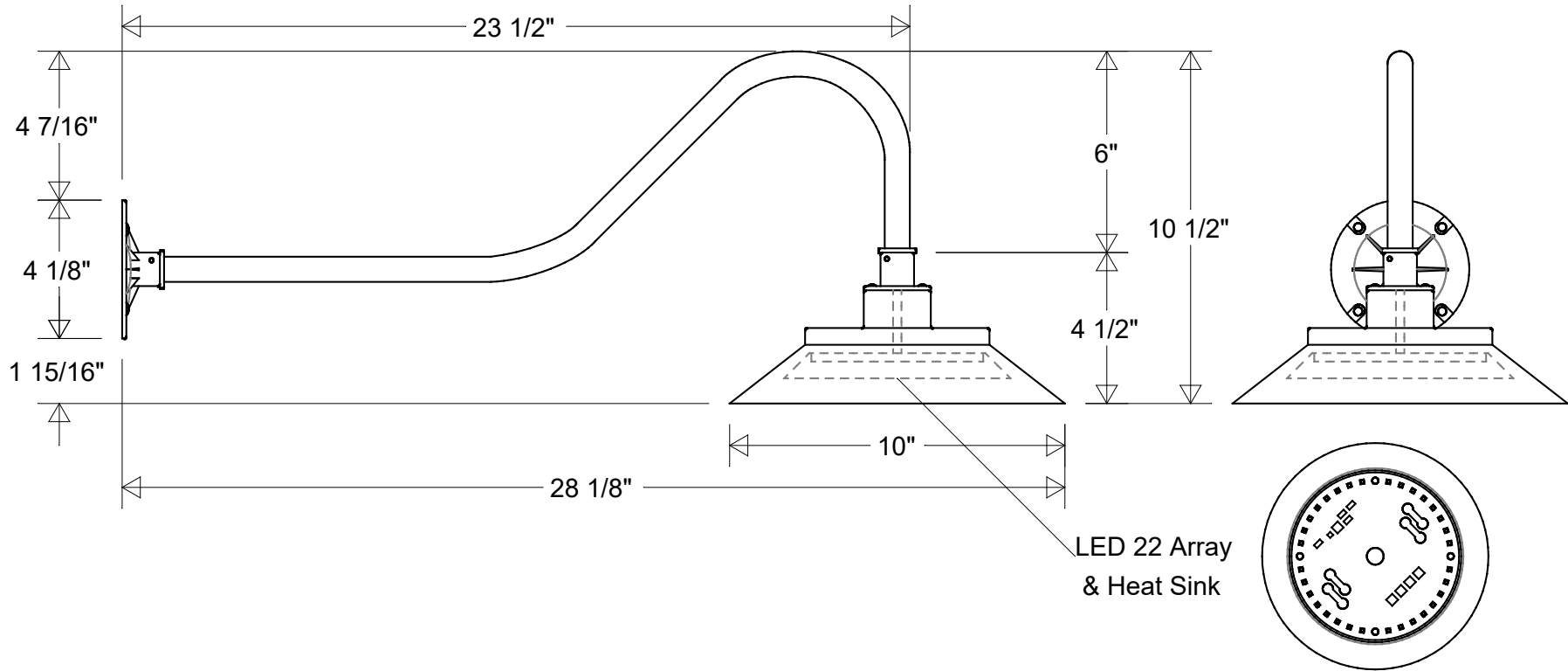


Primelite Manufacturing Corp

407 S Main St, Freeport, NY 11520

Phone: 516-868-4411 | Fax: 516-868-4609
 sales@primelite-mfg.com | www.primelite-mfg.com

PART # #12/10-850 LED 22	LAMP Built-In LED	VOLTAGE 120 V	COLOR Powder Coated Paint
JOB NAME			TYPE Gooseneck



Lamp: LED 22 Array
 100 W Inc Equivalent
 3K = 1850 Lumens
 4K = 1900 Lumens



Initials	Date
CB	08/2022

Gooseneck #12/10-850 LED 22

10" Dia | 28 1/8" Ext | 10 1/2" H
 6" Drop | 1 15/16" Below Box

Revisions

Zone	Rev	Description	Date	Appr

Construction:
Aluminum

MFR Appr.	
QA	

Size	Drawing No.	Rev
A	0001	A

Unless Otherwise Specified:
Dimensions in Inches

Weight: Scale

CAD File	Sheet
	1 of 1