

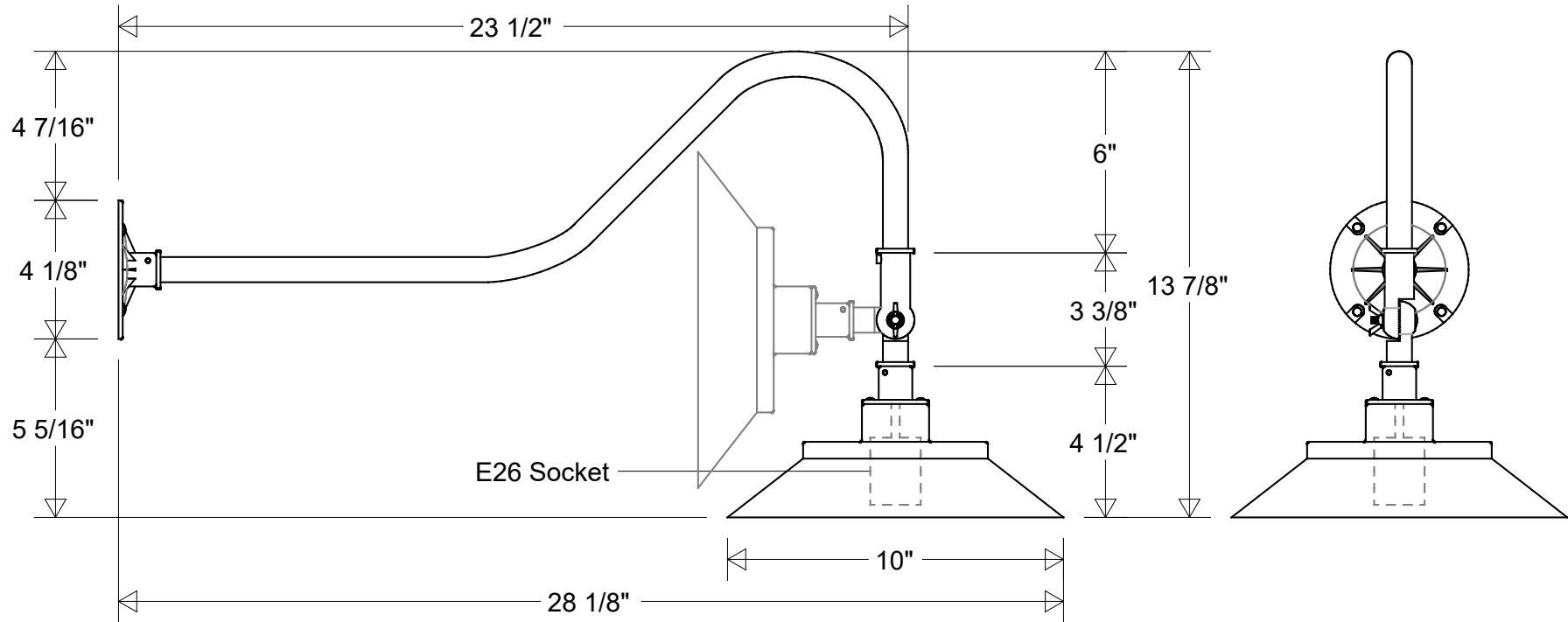



Primelite Manufacturing Corp

407 S Main St, Freeport, NY 11520

Phone: 516-868-4411 | Fax: 516-868-4609
 sales@primelite-mfg.com | www.primelite-mfg.com

PART # #12/10-850 ESW	LAMP E26 Socket	VOLTAGE 120 V	COLOR Powder Coated Paint
JOB NAME			TYPE Gooseneck



Lamp: E26 Socket Max Wattage: 100 W 	Initials	Date	Gooseneck #12/10-850 ESW						
	Drawn	CB						08/2022	
	Checked			10" Dia 28 1/8" Ext 13 7/8" H		Revisions			
ENG Appr.			6" Drop 5 5/16" Below Box		Zone	Rev	Description	Date	Appr
Construction: Aluminum	MFR Appr.		Size	Drawing No.	Rev				
	QA		A	0001	A				
Unless Otherwise Specified: Dimensions in Inches	Weight:		Scale	CAD File	Sheet				
					1 of 1				