

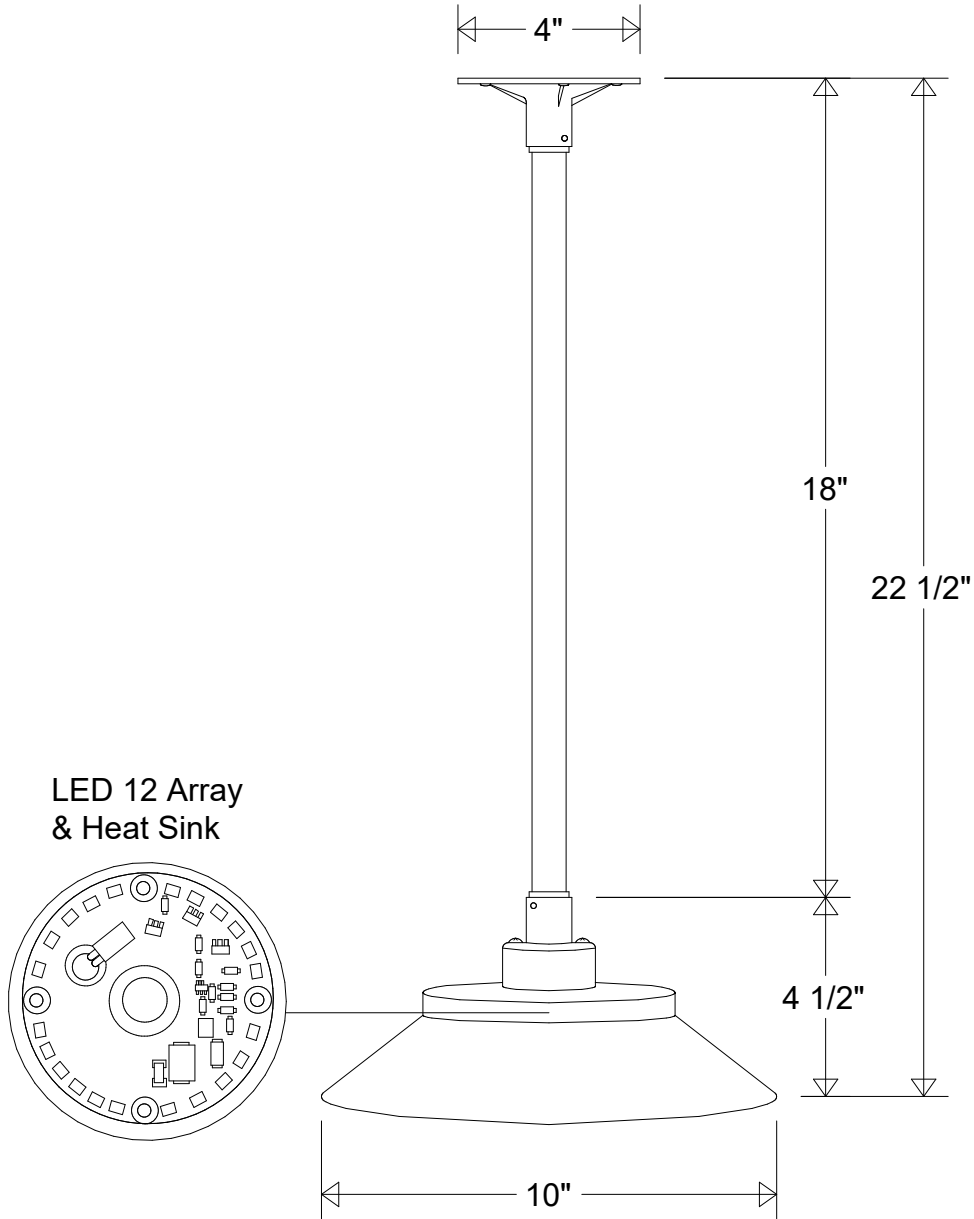



Primelite Manufacturing Corp

407 S Main St, Freeport, NY 11520

Phone: 516-868-4411 | Fax: 516-868-4609
 sales@primelite-mfg.com | www.primelite-mfg.com

PART # #12/10-18	LAMP Built-In LED	VOLTAGE 120 V	COLOR Powder Coated Paint
JOB NAME			TYPE Pendant



Lamp: LED 12 Array 800 Lumens 60 W Inc Equivalent 	Name		Date		Pendant #12/10-18 LED 12 10" Dia 22 1/2" H 1/2" Stem						
	Drawn	CB	12/2020								
	Checked				Size	Drawing No.	Rev	Revisions			
	ENG Appr.				A	0001	A	Zone	Rev	Description	Date
Construction: Aluminum	MFR Appr.										
Unless Otherwise Specified: Dimensions in Inches	QA				Scale	CAD File	Sheet				
	Weight						1 of 1				