

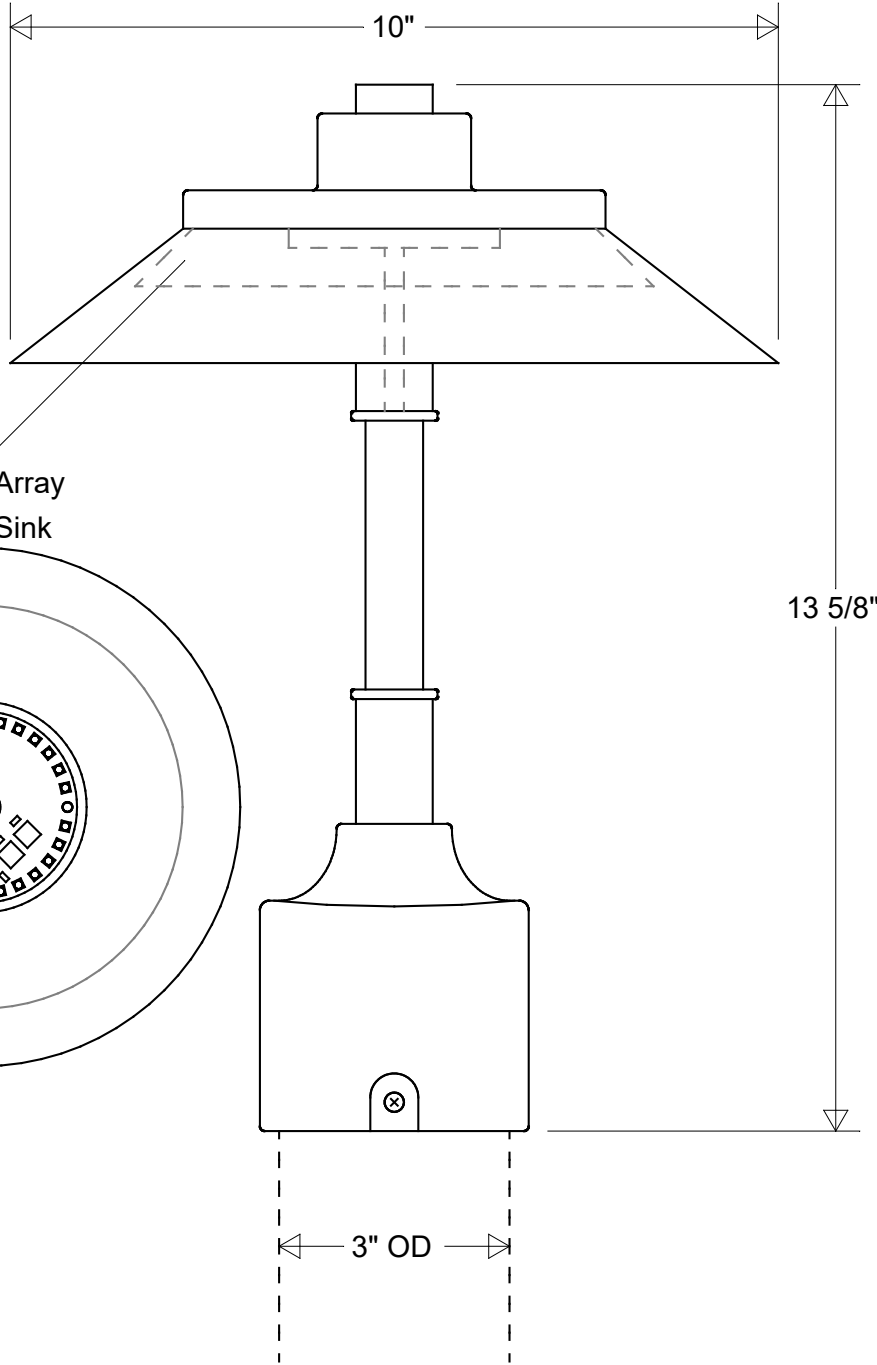


Primelite Manufacturing Corp

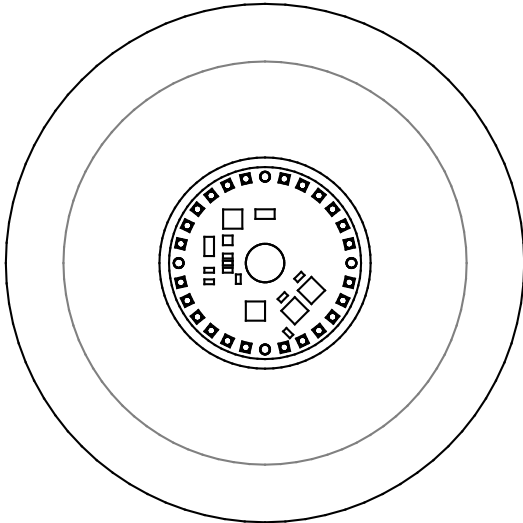
407 S Main St, Freeport, NY 11520


Phone: 516-868-4411 | Fax: 516-868-4609
 sales@primelite-mfg.com | www.primelite-mfg.com

PART # #12/10-1594	LAMP LED 12	VOLTAGE 120 V	COLOR Powder Coated Paint
JOB NAME			TYPE Post Light



LED 12 Array
& Heat Sink



Lamp: LED 12 Array 60 W Inc Equivalent 3K = 910 Lumens 4K = 1000 Lumens 	Initials	Date	Post Light #12/10-1594 LED 12 10" Dia 13 5/8" H Fits 3" OD Posts Dark Sky Friendly						
	Drawn	CB						01/2022	
	Checked			Revisions		Zone	Rev	Description	Date
Construction: Aluminum	MFR Appr.		Size	Drawing No.	Rev				
	QA		A	0001	A				
Unless Otherwise Specified: Dimensions in Inches	Weight:		Scale	CAD File	Sheet	1 of 1			