

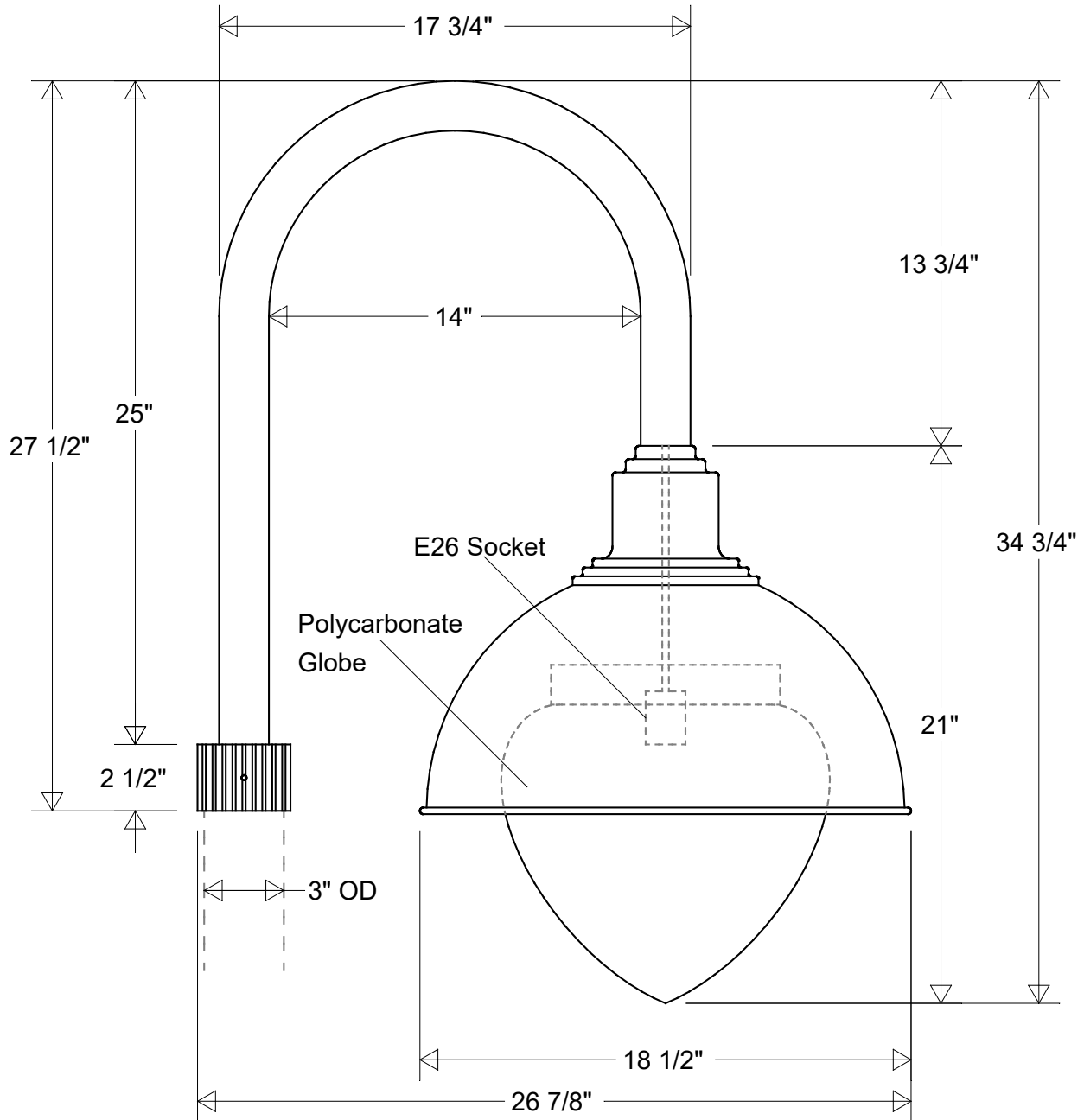



Primelite Manufacturing Corp

407 S Main St, Freeport, NY 11520

Phone: 516-868-4411 | Fax: 516-868-4609
 sales@primelite-mfg.com | www.primelite-mfg.com

PART # #1197/1962	LAMP E26 Socket	VOLTAGE 120 V	COLOR Powder Coated Paint
JOB NAME			TYPE Post Light



Lamp: E26 Socket Max Wattage: 200 W 	Initials	Date	<h2>Post Light #1197/1962</h2>			Revisions				
	Drawn	CB								
	Checked			Zone	Rev	Description	Date	Appr		
ENG Appr.			Size	Drawing No.	Rev					
Construction: Aluminum Polycarbonate	MFR Appr.		A	0001	A					
QA			Scale	CAD File	Sheet					
Unless Otherwise Specified: Dimensions in Inches	Weight:				1 of 1					