

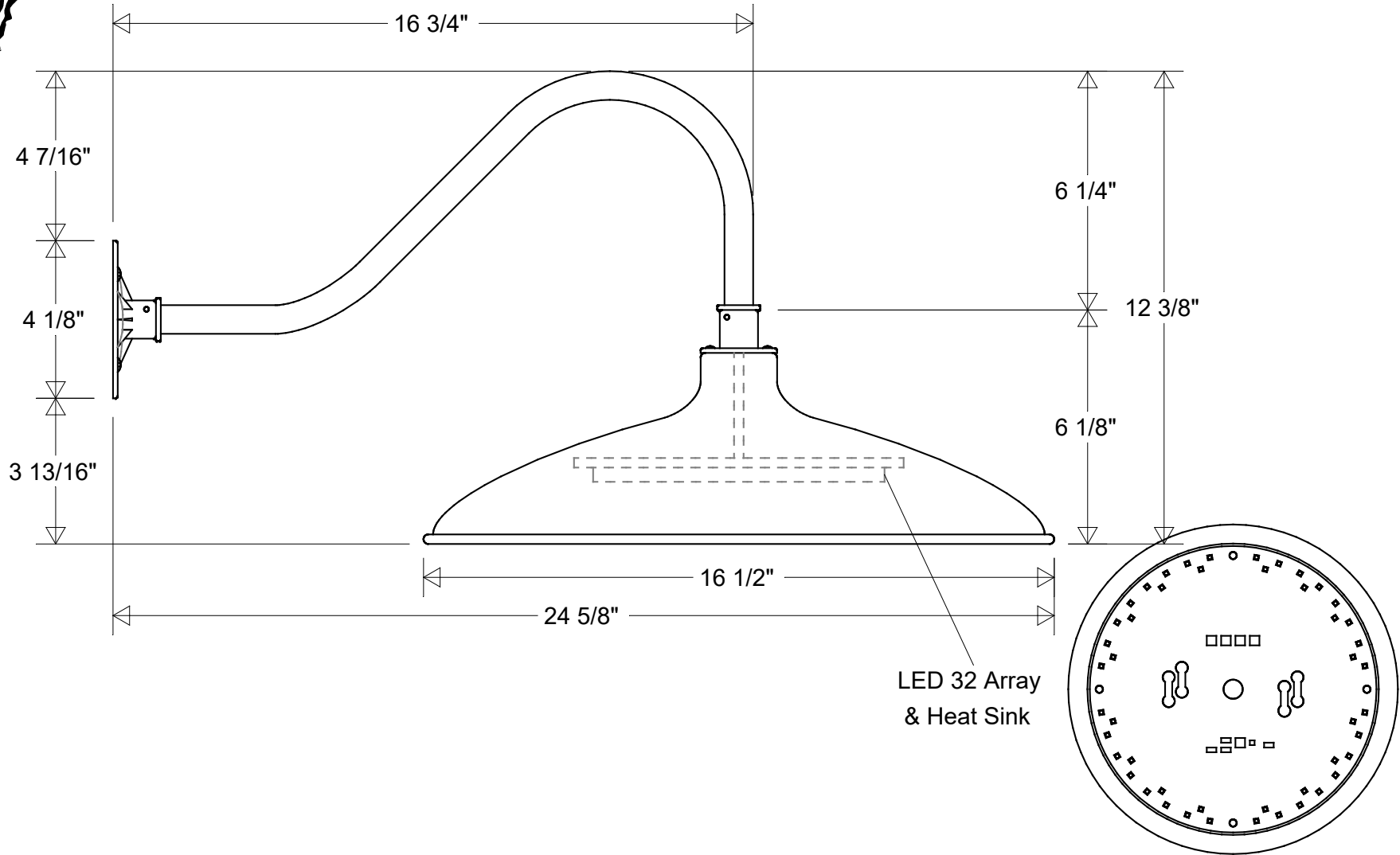


Primelite Manufacturing Corp

407 S Main St, Freeport, NY 11520

Phone: 516-868-4411 | Fax: 516-868-4609
 sales@primelite-mfg.com | www.primelite-mfg.com

| | | | |
|-----------------------|----------------|------------------|------------------------------|
| PART # #116/16-859 | LAMP LED 32 | VOLTAGE 120 V | COLOR Powder Coated Paint |
| JOB NAME | | | TYPE Gooseneck |



| | | | | | |
|---|-----------|------|---------------------------|---------------------------------------|---------------|
| Lamp: LED 32 Array 200 W Inc Equivalent 3K = 2700 Lumens 4K = 2750 Lumens | Initials | Date | #116/16-859 LED 32 | | |
| | Drawn | CB | | | 05/2023 |
| | Checked | | | 16 1/2" Dia 24 5/8" Ext 12 3/8" H | |
| | ENG Appr. | | | 6 1/4" Drop 3 13/16" Below Box | |
| Construction: Aluminum | MFR Appr. | | Size | Drawing No. | Rev |
| | QA | | A | 0001 | A |
| Unless Otherwise Specified: Dimensions in Inches | Weight: | | Scale | CAD File | Sheet |
| | | | | | 1 of 1 |

| Revisions | | | | |
|-----------|-----|-------------|------|------|
| Zone | Rev | Description | Date | Appr |
| | | | | |
| | | | | |
| | | | | |